

# HP 550 Notebook PC

## Maintenance and Service Guide



© Copyright 2008 Hewlett-Packard  
Development Company, L.P.

Bluetooth is a trademark owned by its proprietor and used by Hewlett-Packard Company under license. Intel, Core, and Celeron are trademarks of Intel Corporation in the United States and other countries. Microsoft, Windows, and Windows Vista are U.S. registered trademarks of Microsoft Corporation. SD Logo is a trademark of its proprietor.

The information contained herein is subject to change without notice. The only warranties for HP products and services are set forth in the express warranty statements accompanying such products and services. Nothing herein should be construed as constituting an additional warranty. HP shall not be liable for technical or editorial errors or omissions contained herein.

Second Edition: December 2008

First Edition: August 2008

Document Part Number: 488361–002

## Safety warning notice

- 
- ⚠ **WARNING!** To reduce the possibility of heat-related injuries or of overheating the computer, do not place the computer directly on your lap or obstruct the computer air vents. Use the computer only on a hard, flat surface. Do not allow another hard surface, such as an adjoining optional printer, or a soft surface, such as pillows or rugs or clothing, to block airflow. Also, do not allow the AC adapter to contact the skin or a soft surface, such as pillows or rugs or clothing, during operation. The computer and the AC adapter comply with the user-accessible surface temperature limits defined by the International Standard for Safety of Information Technology Equipment (IEC 60950).
-



---

# Table of contents

## 1 Product description

## 2 External component identification

Top components .....	6
TouchPad .....	6
Buttons, lights, and speaker .....	7
Keys .....	8
Front components .....	9
Right-side components .....	10
Left-side components .....	11
Bottom components .....	12
Wireless antennae (select models only) .....	13

## 3 Illustrated parts catalog

Serial number location .....	14
Computer major components .....	15
Plastics Kit .....	21
Cable Kit .....	22
Mass storage devices .....	23
Miscellaneous parts .....	24
Sequential part number listing .....	25

## 4 Removal and replacement procedures

Preliminary replacement requirements .....	31
Tools required .....	31
Service considerations .....	31
Plastic parts .....	31
Cables and connectors .....	32
Drive handling .....	32
Grounding guidelines .....	33
Electrostatic discharge damage .....	33
Packaging and transporting guidelines .....	34
Workstation guidelines .....	34

Equipment guidelines .....	35
Unknown user password .....	36
Component replacement procedures .....	37
Serial number .....	37
Computer feet .....	38
Battery .....	39
Hard drive .....	40
WLAN module .....	42
Memory module .....	45
Optical drive .....	46
Switch cover .....	48
Keyboard .....	50
Speaker .....	53
Display lid switch module .....	54
Display assembly .....	55
Top cover .....	60
TouchPad board and TouchPad button board .....	63
Bluetooth module .....	65
System board .....	66
Fan .....	70
Heat sink .....	72
Processor .....	74
Modem module .....	76
RTC battery .....	78
ExpressCard assembly .....	79

## 5 Computer Setup

Starting Computer Setup .....	81
Using Computer Setup .....	82
Navigating and selecting in Computer Setup .....	82
Restoring factory settings in Computer Setup .....	82
Computer Setup menus .....	83
File menu .....	83
Security menu .....	84
Diagnostics menu .....	84
System Configuration menu .....	85

## 6 Specifications

Computer specifications .....	88
15.4-inch, WXGA display specifications .....	89
Hard drive specifications .....	90
DVD±RW and CD-RW SuperMulti Double-Layer Combo Drive with LightScribe specifications .....	91
DVD/CD-RW Combo Drive specifications .....	92

System DMA specifications .....	93
System interrupt specifications .....	94
System I/O address specifications .....	95
System memory map specifications .....	97

## 7 Screw listing

Phillips PM2.0×5.0 captive screw .....	99
Phillips PM2.5×12.0 captive screw .....	100
Phillips PM3.0×4.0 screw .....	101
Phillips PM2.5×4.0 screw .....	102
Slotted Torx ST8M2.5×7.0 screw .....	103
Phillips PM2.0×4.0 screw .....	105
Torx T8M2.5×9.0 screw .....	107
Torx T8M2.5×3.0 broadhead screw .....	108
Torx T8M2.5×4.0 screw .....	109
Phillips PM2.0×2.0 broadhead screw .....	111
Torx T8M2.5×6.0 screw .....	112
Phillips PM2.0×6.0 screw .....	113
Torx T8M2.0×4.0 screw .....	114
Phillips PM2.5×7.0 screw .....	115
Phillips PM2.5×7.0 captive screw .....	116
Phillips PM2.5×10.0 captive screw .....	117
Phillips PM2.0×8.0 screw .....	118

## 8 Backup and recovery

Backup and recovery in Windows Vista .....	120
Overview .....	120
Backing up your information .....	120
Performing a recovery .....	121
Using the Windows recovery tools .....	121
Using f11 .....	122
Using a Windows Vista operating system DVD (purchased separately) .....	122
Backup and Recovery in Windows XP .....	124
Overview .....	124
Backing up your information .....	124
Performing a recovery .....	125
Recovering your information .....	125
Recovering the operating system and programs .....	125

## 9 Connector pin assignments

Audio-out (headphone) .....	126
Audio-in (microphone) .....	126
External monitor .....	127

RJ-11 (modem) .....	128
RJ-45 (network) .....	129
Universal Serial Bus .....	129

## **10 Power cord set requirements**

Requirements for all countries and regions .....	130
Requirements for specific countries and regions .....	131

## **11 Recycling**

Battery .....	132
Display .....	132

<b>Index .....</b>	<b>138</b>
--------------------	------------



# 1 Product description

Category	Description	Computer models equipped with GLE960 system board	Computer models equipped with GME965 system board
<b>Processors</b>	Intel® Core™2 Duo processors		
	<ul style="list-style-type: none"> <li>T5670 1.80-GHz processor, 2-MB L2 cache, 800-MHz front side bus (FSB)</li> </ul>		√
	<ul style="list-style-type: none"> <li>T5470 1.60-GHz processor, 2-MB L2 cache, 800-MHz front side bus (FSB)</li> </ul>		√
	<ul style="list-style-type: none"> <li>T5270 1.40-GHz processor, 2-MB L2 cache, 800-MHz FSB</li> </ul>		√
	Intel Celeron® M processors		
	<ul style="list-style-type: none"> <li>P550 2.0-GHz processor, 1-MB L2 cache, 533-MHz FSB</li> </ul>	√	
	<ul style="list-style-type: none"> <li>P530 1.73-GHz processor, 1-MB L2 cache, 533-MHz FSB</li> </ul>	√	
	Intel Celeron M processors, Dual Core		
	<ul style="list-style-type: none"> <li>T1400 1.73-GHz processor, 533Mhz FSB</li> </ul>	√	
<b>Chipset</b>	Northbridge: Intel GME965 with up to 800-MHz FSB		√
	Northbridge: Intel GLE960 with up to 533-MHz FSB	√	
	Southbridge: Intel ICH8M	√	√
<b>Graphics</b>	Intel Universal Memory Architecture (UMA) graphics subsystem integrated with shared video memory (dynamically allocated)	√	√
<b>Panel</b>	All display assemblies include 2 wireless local area network (WLAN) antennae	√	√
	<ul style="list-style-type: none"> <li>15.4-inch WXGA BrightView</li> </ul>	√	√
<b>Memory</b>	2 customer-accessible/upgradable memory module slots	√	√
	Supports dual-channel memory	√	√
	Supports up to 4 GB of system RAM	√	√
	PC2-5300, 667-MHz, DDR2	√	√

Category	Description	Computer models equipped with GLE960 system board	Computer models equipped with GME965 system board
	Supports the following configurations in all countries and regions except Brazil:	√	√
	<ul style="list-style-type: none"> <li>4096-MB total system memory (2048 × 2, dual-channel)</li> <li>3072-MB total system memory (2048 + 1024)</li> <li>2560-MB total system memory (2048 + 512)</li> <li>2048-MB total system memory (1024 × 2, dual-channel)</li> <li>2048-MB total system memory (2048 × 1)</li> <li>1536-MB total system memory (1024 + 512)</li> <li>1024-MB total system memory (512 × 2, dual-channel)</li> <li>1024-MB total system memory (1024 × 1)</li> <li>512-MB total system memory (512 × 1)</li> </ul>		
	Supports the following configurations only in Brazil:	√	√
	<ul style="list-style-type: none"> <li>2048-MB total system memory (2048 × 1)</li> <li>2048-MB total system memory (1024 × 2, dual-channel)</li> <li>1024-MB total system memory (1024 × 1)</li> <li>1024-MB total system memory (512 × 2, dual-channel)</li> <li>512-MB total system memory (512 × 1)</li> </ul>		
<b>Hard drives</b>	Supports 9.5-mm, 2.5-inch hard drives	√	√
	Customer-accessible	√	√
	Serial ATA	√	√
	Supports the following drives:	√	√
	<ul style="list-style-type: none"> <li>250-GB, 5400-rpm</li> <li>160-GB, 5400-rpm</li> <li>120-GB, 5400-rpm</li> </ul>		
	HP DriveGuard	√	√
<b>Optical drives</b>	Fixed (removal of 1 screw required)	√	√
	Customer-accessible	√	√
	12.7-mm tray load	√	√
	Supports the "no optical drive" option	√	√

Category	Description	Computer models equipped with GLE960 system board	Computer models equipped with GME965 system board
	Supports the following Parallel ATA (PATA) drives:	√	√
	<ul style="list-style-type: none"> <li>DVD±RW and CD-RW SuperMulti Double-Layer Combo Drive with LightScribe</li> <li>DVD/CD-RW Combo Drive</li> <li>DVD-ROM Drive</li> </ul>		
	Supports the following Serial ATA (SATA) drives:	√	√
	<ul style="list-style-type: none"> <li>DVD±RW and CD-RW Supermulti Double-Layer Combo Drive with LightScribe</li> <li>DVD/CD-RW Combo Drive</li> <li>DVD-ROM Drive</li> </ul>		
<b>Diskette drive</b>	Supports external USB diskette drive only	√	√
	Supports boot from external USB diskette drive	√	√
	Supports 3-mode diskette drive	√	√
<b>Audio</b>	HD audio - ADI1981	√	√
<b>Modem</b>	56K V.92 1.5-inch data/fax modem with digital line guard	√	√
<b>Ethernet</b>	Intel 82562GT	√	√
	S3/S4/S5 wake on LAN: DC - no	√	√
	S3/S4/S5 wake on LAN: AC - yes	√	√
<b>Wireless</b>	<b>Integrated WLAN options by way of wireless module:</b>		
	2 WLAN antennae built into display assembly	√	√
	Support for no-WLAN option	√	√
	Support for the following WLAN formats:	√	√
	<ul style="list-style-type: none"> <li>Broadcom 802.11a/b/g/n</li> <li>Broadcom 802.11b/g</li> <li>Intel 802.11a/b/g</li> <li>Intel 802.11b/g</li> <li>Intel 802.11a/b/g/n Kedron without iAMT</li> <li>Intel 802.11a/b/g Kedron without iAMT</li> </ul>		
	<b>Integrated personal area network (PAN) options by way of Bluetooth® module:</b>		
	Support for no-WPAN option	√	√
	Broadcom Bluetooth 2.0+EDR	√	√
<b>External media card</b>	One ExpressCard/54 slot	√	√

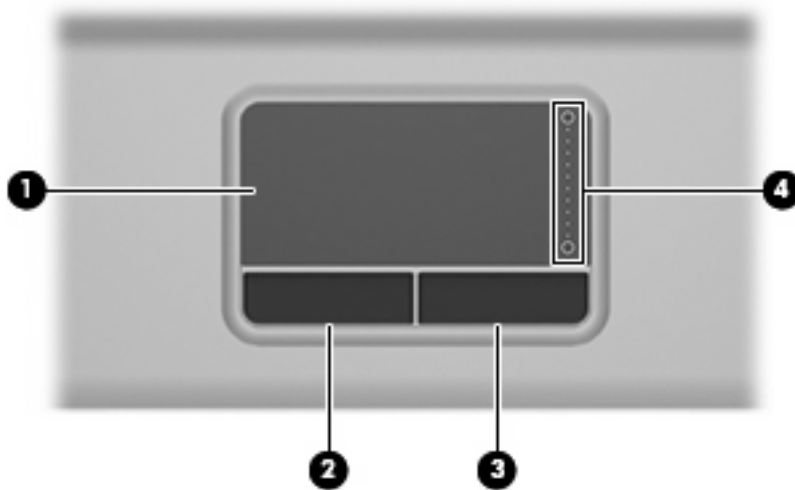
Category	Description	Computer models equipped with GLE960 system board	Computer models equipped with GME965 system board
	SD Card Reader supporting Secure Digital (SD) Memory Card and MultiMediaCard (MMC)	√	√
<b>Ports</b>	Audio-in (stereo microphone)	√	√
	Audio-out (stereo headphone)	√	√
	RJ-11 (modem)	√	√
	RJ-45 (Ethernet, includes link and activity lights)	√	√
	USB (3)	√	√
	VGA (Dsub 15-pin) supporting 1600 × 1200 external resolution at 75-GHz (hot plug/unplug with auto-detect)	√	√
	2-pin AC power	√	√
<b>Keyboard/pointing devices</b>	11.97-inch keyboard with embedded numeric keypad	√	√
	TouchPad only, with 2 TouchPad buttons and vertical scrolling (taps enabled as default)	√	√
<b>Power requirements</b>	65-W AC adapter with localized cable plug support (2-wire plug with ground pin, supports 2-pin DC connector)	√	√
	6-cell, 47-Wh Li-ion battery	√	√
<b>Security</b>	Supports Kensington security lock	√	√
<b>Operating system</b>	<b>Preinstalled:</b>		
	Windows Vista® Basic 32 with Office Ready	√	√
	Windows Vista® Basic 32 Japan (in Japan only)	√	√
	Windows Vista Basic 32 Japan with Office Personal (in Japan only)	√	√
	Windows Vista Basic 32 Japan with Office Personal with PowerPoint (in Japan only)	√	√
	Windows Vista Basic 32 Japan with Office Professional (in Japan only)		
	Windows Vista Business 32 with Office Ready	√	√
	Windows Vista Business 32 Japan (in Japan only)	√	
	Windows Vista Business 32 Japan with Office Personal (in Japan only)	√	√
	Windows Vista Business 32 Japan with Office Personal with PowerPoint (in Japan only)	√	√
	Windows Vista Business 32 Japan with Office Professional (in Japan only)	√	√
	Windows Vista Business with XP Professional with Office Ready	√	√

Category	Description	Computer models equipped with GLE960 system board	Computer models equipped with GME965 system board
	Windows Vista Business with XP Professional Japan (in Japan only)	√	
	Windows Vista Business with XP Professional Japan with Office Personal (in Japan only)	√	√
	Windows Vista Business with XP Professional Japan with Office Personal with PowerPoint (in Japan only)	√	√
	Windows Vista Business with XP Professional Japan with Office Professional (in Japan only)	√	√
	Windows Vista Home Premium with Office Ready	√	√
	FreeDOS	√	√
	Red Flag Linux (in the People's Republic of China only)	√	√
	Mandriva Linux	√	√
	<b>Restore media:</b>		
	Windows Vista Basic 32	√	√
	Windows Vista Home Premium	√	√
	Windows Vista Business 32	√	√
	Red Flag Linux (in the People's Republic of China only)	√	√
	DRDVD Windows Vista	√	√
	DRDVD Windows XP Pro	√	√
	Windows® XP Professional	√	√
	<b>Web Support:</b> Windows® XP Professional	√	√
	<b>Certified:</b> Microsoft® WHQL	√	√
<b>Serviceability</b>	<b>End-user replaceable parts:</b>		
	AC adapter	√	√
	Battery (system)	√	√
	Hard drive	√	√
	Memory module	√	√
	Optical drive	√	√
	WLAN module	√	√

## 2 External component identification

### Top components

#### TouchPad



Item	Component	Function
(1)	TouchPad*	Moves the pointer and selects or activates items on the screen.
(2)	Left TouchPad button*	Functions like the left button on an external mouse.
(3)	Right TouchPad button*	Functions like the right button on an external mouse.
(4)	TouchPad scroll zone	Scrolls up or down.

\*This table describes factory settings. View or change pointing device preferences as follows:

- In Windows Vista, select **Start > Control Panel > Hardware and Sound > Mouse**.
- In Windows XP, select **Start > Control Panel > Printers and Other Hardware > Mouse**.

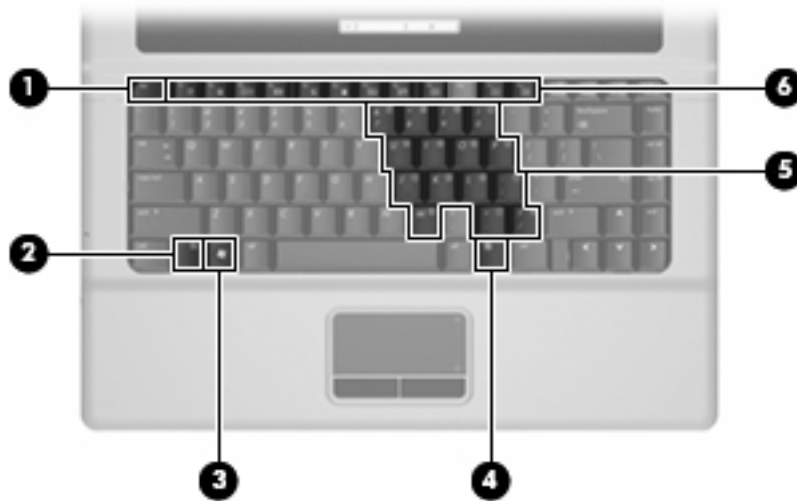
## Buttons, lights, and speaker



Item	Component	Function
(1)	Caps lock light	On: Caps lock is on.
(2)	Wireless button	Turns the wireless feature on or off but does not establish a wireless connection.  <b>NOTE:</b> You must set up or access a wireless network to establish a wireless connection.
(3)	Wireless light	<ul style="list-style-type: none"> <li>Blue: An integrated wireless device, such as a wireless local area network (WLAN) device, the HP Broadband Wireless Module, and/or a Bluetooth device, is on.</li> <li>Amber: All wireless devices are off.</li> </ul>
(4)	Power button	<ul style="list-style-type: none"> <li>When the computer is off, press the button to turn on the computer.</li> <li>When the computer is on, press the button to initiate Hibernation.</li> <li>When the computer is in the Sleep state (Windows Vista) or in Standby (Windows XP), press the button briefly to exit the Sleep state or Standby.</li> <li>When the computer is in Hibernation, press the button briefly to exit Hibernation.</li> </ul> <p>If the computer has stopped responding and Windows® shutdown procedures are ineffective, press and hold the power button for at least 5 seconds to turn off the computer.</p> <p>To learn more about power settings, follow these steps:</p> <ul style="list-style-type: none"> <li>In Windows Vista, select <b>Start &gt; Control Panel &gt; System and Maintenance &gt; Power Options</b>.</li> <li>In Windows XP, select <b>Start &gt; Control Panel &gt; Performance and Maintenance &gt; Power Options</b>.</li> </ul>

Item	Component	Function
(5)	Power light	<ul style="list-style-type: none"> <li>On: The computer is on.</li> <li>Blinking: The computer is in the Sleep state (Windows Vista) or Standby (Windows XP).</li> <li>Off: The computer is off or in Hibernation.</li> </ul>
(6)	Speaker	Produces sound.

## Keys



Item	Component	Function
(1)	esc key	Displays system information when pressed in combination with the <b>fn</b> key.
(2)	fn key	Executes frequently used system functions when pressed in combination with a function key or the <b>esc</b> key.
(3)	Windows logo key	Displays the Windows Start menu.
(4)	Windows applications key	Displays a shortcut menu for items beneath the pointer.
(5)	Embedded numeric keypad keys	Can be used like the keys on an external numeric keypad.
(6)	Function keys	Execute frequently used system functions when pressed in combination with the <b>fn</b> key.

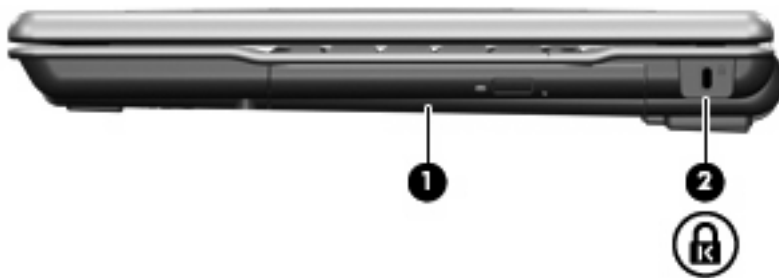


## Front components



Item	Component	Function
(1)	Audio-out (headphone) jack	Connects optional powered stereo speakers, headphones, ear buds, a headset, or television audio.
(2)	Audio-in (microphone) jack	Connects an optional computer headset microphone, stereo array microphone, or monaural microphone.
(3)	SD Card Reader	Supports the following optional digital card formats: <ul style="list-style-type: none"><li>• Secure Digital (SD) Memory Card</li><li>• MultiMediaCard (MMC)</li></ul>

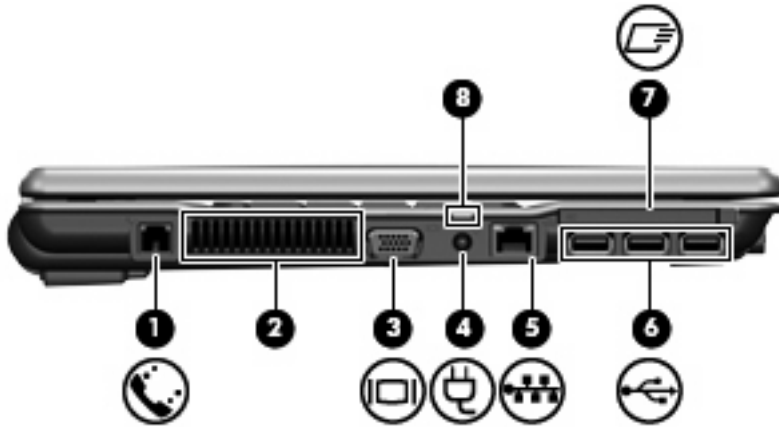
## Right-side components



Item	Component	Function
(1)	Optical drive	Reads an optical disc.
(2)	Security cable slot	Attaches an optional security cable to the computer.

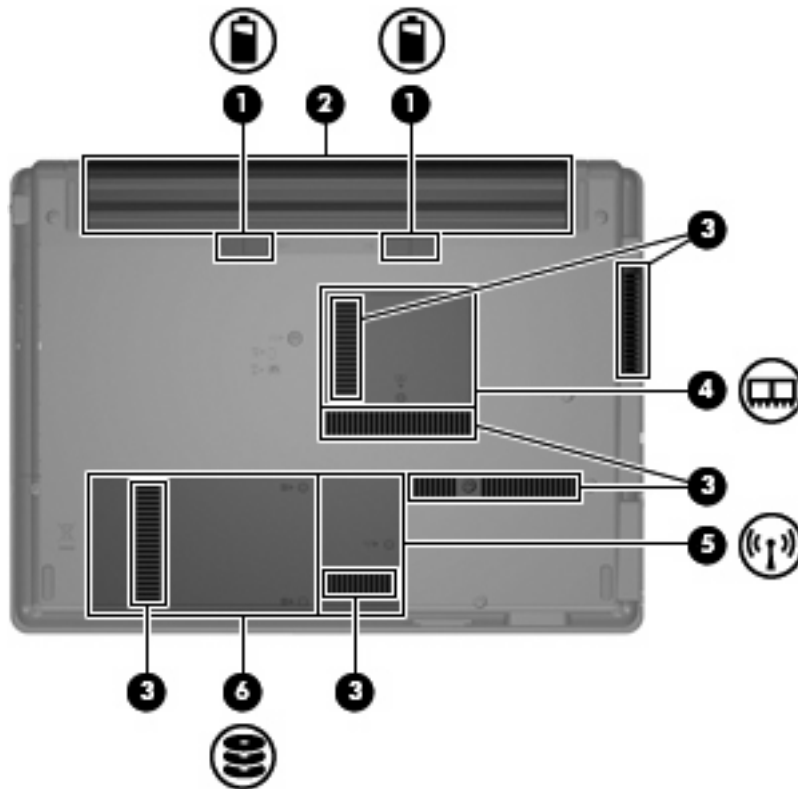
**NOTE:** The security cable is designed to act as a deterrent, but it may not prevent the computer from being mishandled or stolen.

# Left-side components



Item	Component	Function
(1)	RJ-11 (modem) jack	Connects a modem cable.
(2)	Vent	Enables airflow to cool internal components.  <b>NOTE:</b> The computer fan starts up automatically to cool internal components and prevent overheating. It is normal for the internal fan to cycle on and off during routine operation.
(3)	External monitor port	Connects an external VGA monitor or projector.
(4)	Power connector	Connects an AC adapter.
(5)	RJ-45 (network) jack	Connects a network cable.
(6)	USB ports (3)	Connect optional USB devices.
(7)	ExpressCard slot	Supports optional ExpressCards.
(8)	Battery light	<ul style="list-style-type: none"> <li>Amber: A battery is charging.</li> <li>Turquoise: A battery is close to full charge capacity.</li> <li>Blinking amber: A battery that is the only available power source has reached a low battery level. When the battery reaches a critical battery level, the battery light begins blinking rapidly.</li> <li>Off: If the computer is plugged into an external power source, the light turns off when all batteries in the computer are fully charged. If the computer is not plugged into an external power source, the light stays off until the battery reaches a low battery level.</li> </ul>

## Bottom components




Item	Component	Function
(1)	Battery release latches (2)	Release the battery from the battery bay.
(2)	Battery bay	Holds the battery.
(3)	Vents (6)	Enable airflow to cool internal components.  <b>NOTE:</b> The computer fan starts up automatically to cool internal components and prevent overheating. It is normal for the internal fan to cycle on and off during routine operation.
(4)	Memory module compartment	Contains the memory module slots.
(5)	WLAN module compartment (select models only)	Contains a WLAN module slot.  <b>NOTE:</b> To prevent an unresponsive system, replace the wireless module only with a wireless module authorized for use in the computer by the governmental agency that regulates wireless devices in your country or region. If you replace the module and then receive a warning message, remove the module to restore computer functionality, and then contact technical support through Help and Support.
(6)	Hard drive bay	Holds the hard drive.

## Wireless antennae (select models only)

On select computer models, at least 2 antennae send and receive signals from one or more wireless devices. These antennae are not visible from the outside of the computer.



---

 **NOTE:** For optimal transmission, keep the areas immediately around the antennae free from obstructions.

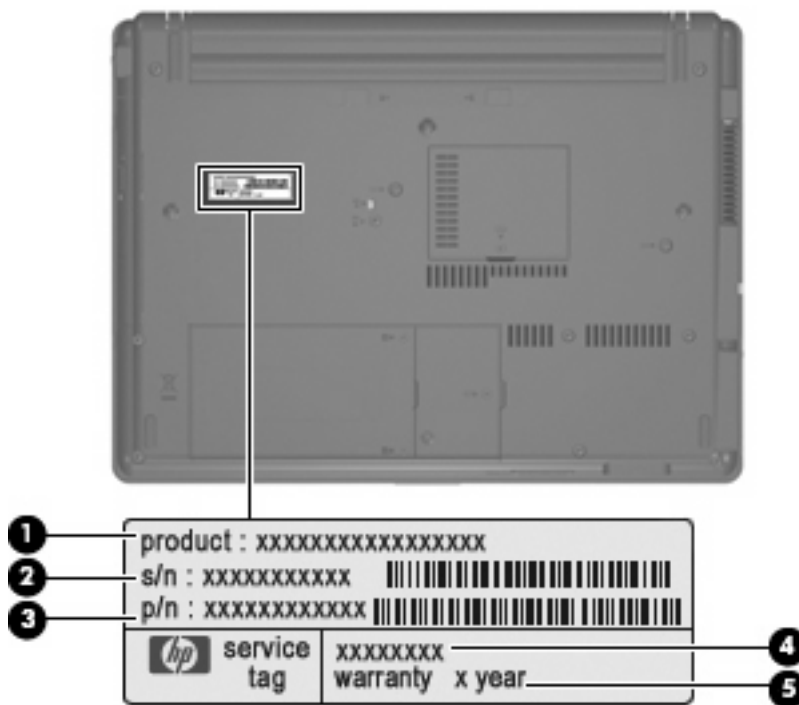
---

To see wireless regulatory notices, refer to the section of the *Regulatory, Safety and Environmental Notices* that applies to your country or region. These notices are located in Help and Support.

## 3 Illustrated parts catalog

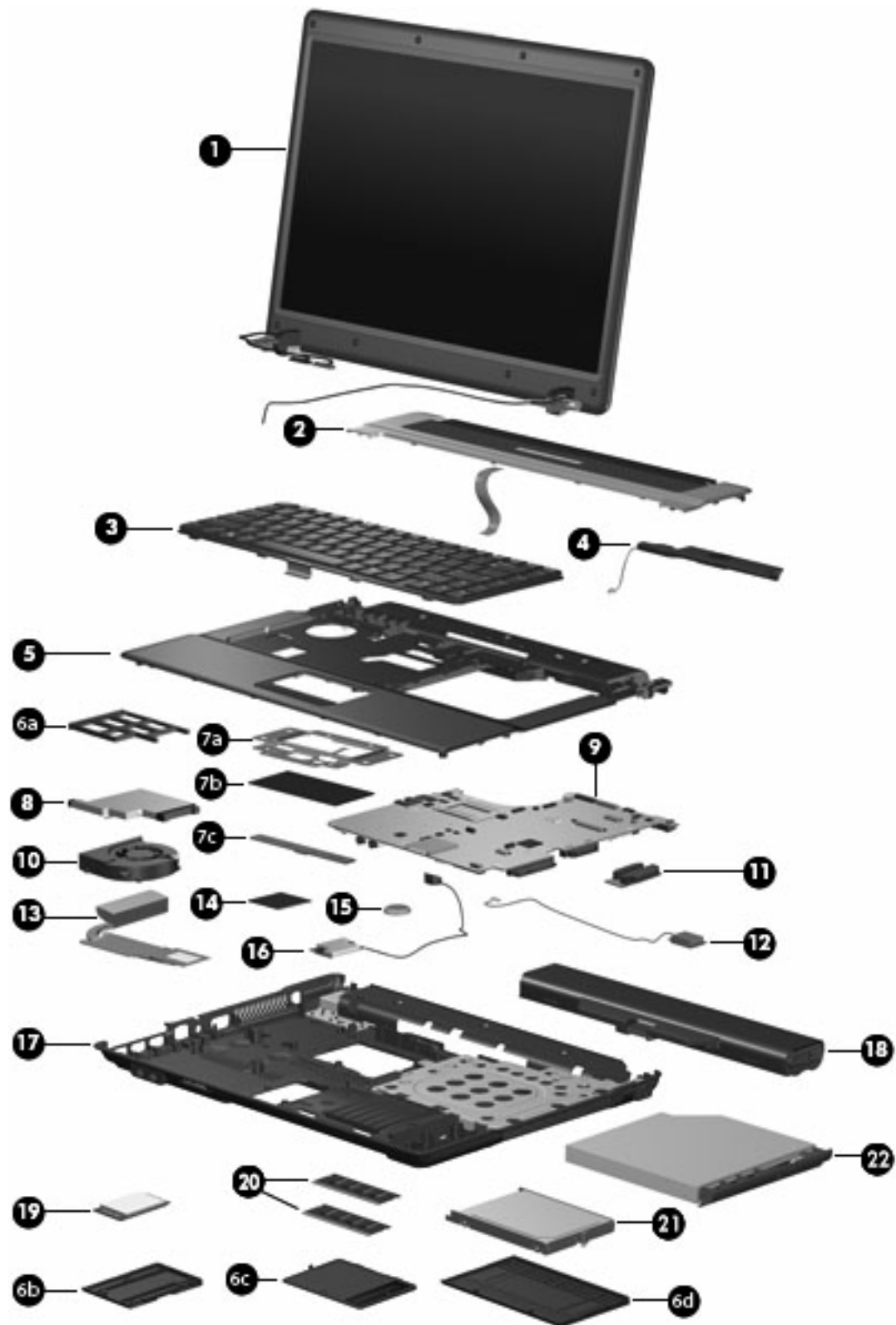
### Serial number location

When ordering parts or requesting information, provide the computer serial number and model number located on the bottom of the computer.



- Product Name (1). This is the product name affixed to the front of the computer.
- Serial Number (s/n) (2). This is an alphanumeric identifier that is unique to each product.
- Part Number/Product Number (p/n) (3). This number provides specific information about the product's hardware components. The part number helps a service technician to determine what components and parts are needed.
- Model Description (4). This is the number you use to locate documents, drivers, and support for your notebook.
- Warranty Period (5). This number describes the duration (in years) of the warranty period for this computer.

# Computer major components



Item	Description	Spare part number
<b>(1)</b>	<b>Display assemblies</b> (include 2 WLAN antenna transceivers and cables)	
	15.4-inch, WXGA BrightView	495385-001
	<b>Display assembly internal components:</b>	
	Display enclosure (includes 2 WLAN antenna transceivers and cables)	495402-001
	Display hinges (includes left and right hinges)	456806-001
	Display inverter	456618-001
	Display Cable Kit (includes 2 wireless antennae)	508816-001
<b>(2)</b>	<b>Switch cover</b> (includes button board and cable)	495388-001
<b>(3)</b>	<b>Keyboards</b>	
	For use in Belgium	495400-181
	For use in Brazil	495400-201
	For use in the Czech Republic	495400-221
	For use in Denmark	495400-081
	For use in France	495400-051
	For use in French Canada	495400-121
	For use in Germany	495400-041
	For use in Greece	495400-DJ1
	For use in Hungary	495400-211
	For use in Iceland	495400-DD1
	For use in Israel	495400-BB1
	For use in Italy	495400-061
	For use in Japan	495400-291
	For use in Latin America	495400-161
	For use in the Netherlands	495400-B31
	For use in Norway	495400-091
	For use in Portugal	495400-131
	For use in Russia	495400-251
	For use in Saudi Arabia	495400-171
	For use in Slovakia	495400-231
	For use in Slovenia	495400-BA1
	For use in South Korea	495400-AD1
	For use in Spain	495400-071
	For use in Sweden	495400-B71
	For use in Switzerland	495400-BG1



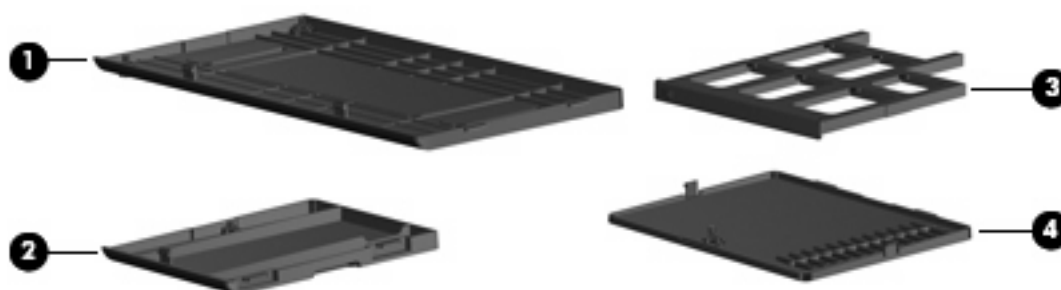
Item	Description	Spare part number
	For use in Taiwan	495400-AB1
	For use in Thailand	495400-281
	For use in Turkey	495400-141
	For use in the United Kingdom	495400-031
	For use in the United States	495400-001
<b>(4)</b>	<b>Speaker</b>	456593-001
<b>(5)</b>	<b>Top cover</b> (includes TouchPad board and cable, and TouchPad button board and cable)	495399-001
	<b>Plastics Kit</b> (see <a href="#">Plastics Kit on page 21</a> for more Plastics Kit spare part information):	456614-001
<b>(6a)</b>	<b>ExpressCard slot protective insert</b>	
<b>(6b)</b>	<b>WLAN module compartment cover</b>	
<b>(6c)</b>	<b>Memory module compartment cover</b>	
<b>(6d)</b>	<b>Hard drive bay cover</b>	
<b>(6e)</b>	Optical drive bay protective insert (not illustrated)	
	<b>TouchPad components (included with the top cover)</b>	
<b>(7a)</b>	<b>TouchPad bracket</b>	
<b>(7b)</b>	<b>TouchPad board</b> (includes cable)	
<b>(7c)</b>	<b>Touchpad button board</b> (includes cable)	
<b>(8)</b>	<b>ExpressCard assembly</b> (included with all system boards)	
<b>(9)</b>	<b>System boards</b> (include replacement thermal material and the ExpressCard assembly)	
	For use only with computer models equipped with Intel GME965 graphics chipset, Intel UMA graphics subsystem, and PATA optical drive	495410-001
	For use only with computer models equipped with Intel GLE960 graphics chipset, Intel UMA graphics subsystem, and PATA optical drive	495395-001
	For use only with computer models equipped with Intel GME965 graphics chipset, Intel UMA graphics subsystem, and SATA optical drive	495404-001
	For use only with computer models equipped with Intel GLE960 graphics chipset, Intel UMA graphics subsystem, and SATA optical drive	495397-001
<b>(10)</b>	<b>Fan</b>	431312-001
<b>(11)</b>	<b>Optical drive connector board</b>	
	Optical drive connector board (PATA)	456805-001
	Optical drive connector board (SATA)	495386-001
<b>(12)</b>	<b>Broadcom Bluetooth modules</b> (do not include Bluetooth module cable)	
	<b>NOTE:</b> The Bluetooth module spare part kits do not include a Bluetooth module cable. The Bluetooth module cable is included in the Cable Kit, spare part number 456594-001. See <a href="#">Cable Kit on page 22</a> for more Cable Kit spare part number information.	
	For use in all countries and regions except Japan and Asia Pacific countries and regions	398393-002
	For use only in Japan and Asia Pacific countries and regions	450066-001

Item	Description	Spare part number
(13)	<b>Heat sink</b> (includes replacement thermal material)	456605-001
(14)	<b>Processors</b> (includes replacement thermal material)	
	<b>Intel Core2 Duo processors:</b>	
	<ul style="list-style-type: none"> <li>T5670 1.80-GHz (2-MB L2 cache, 800-MHz FSB)</li> </ul>	508758-001
	<ul style="list-style-type: none"> <li>T5470 1.60-GHz (2-MB L2 cache, 800-MHz FSB)</li> </ul>	500757-001
	<ul style="list-style-type: none"> <li>T5270 1.40-GHz (2-MB L2 cache, 800-MHz FSB)</li> </ul>	495383-001
	<b>Intel Celeron M processors:</b>	
	<ul style="list-style-type: none"> <li>P550 2.0-GHz (1-MB L2 cache, 533-MHz FSB)</li> </ul>	508759-001
	<ul style="list-style-type: none"> <li>P530 1.73-GHz (1-MB L2 cache, 533-MHz FSB)</li> </ul>	500756-001
	<b>Intel Celeron M Dual processors:</b>	
	<ul style="list-style-type: none"> <li>T1400 1.73-GHz (1-MB L2 cache, 533-MHz FSB)</li> </ul>	506446-001
(15)	<b>RTC battery</b>	449137-001
(16)	<b>Modem module</b>	
	<b>NOTE:</b> The modem module spare part kit does not include a modem module cable. The modem module cable is included in the Cable Kit, spare part number 456954-001. See <a href="#">Cable Kit on page 22</a> for more Cable Kit spare part number information.	
	For use in the United States	461749-001
	For use in Australia and New Zealand	461749-011
(17)	<b>Base enclosure</b> (includes rubber feet)	495398-001
	<b>Rubber Kit</b> (not illustrated, contains 4 computer feet and 8 display bezel screw covers)	500132-001
(18)	<b>Battery</b>	
	6-cell, 47-Wh Li-ion battery	500764-001
(19)	<b>WLAN modules</b>	
	<b>Intel 802.11a/b/g/n WLAN modules:</b>	
	<ul style="list-style-type: none"> <li>For use in Antigua and Barbuda, Argentina, Aruba, the Bahamas, Barbados, Bermuda, Brunei, Canada, the Cayman Islands, Chile, Colombia, Costa Rica, the Dominican Republic, Ecuador, El Salvador, Guam, Guatemala, Haiti, Honduras, Hong Kong, India, Indonesia, Malaysia, Mexico, Panama, Paraguay, Peru, Saudi Arabia, Taiwan, Uruguay, the United States, Venezuela, and Vietnam</li> </ul>	441086-001
	<ul style="list-style-type: none"> <li>For use in Azerbaijan, Bahrain, Belgium, Brazil, Bulgaria, Croatia, Cyprus, the Czech Republic, Denmark, Egypt, Estonia, Finland, France, Georgia, Germany, Greece, Hungary, Iceland, Ireland, Israel, Italy, Latvia, Lebanon, Liechtenstein, Lithuania, Luxembourg, Malta, Monaco, the Netherlands, Norway, Oman, the Philippines, Poland, Portugal, Qatar, Romania, Russia, Serbia and Montenegro, Singapore, Slovakia, Slovenia, South Africa, Spain, Sri Lanka, Sweden, Switzerland, Turkey, Ukraine, the United Kingdom, and Uzbekistan</li> </ul>	441086-002
	<ul style="list-style-type: none"> <li>For use in Australia, New Zealand, Pakistan, the People's Republic of China, and South Korea</li> </ul>	441086-003
	<ul style="list-style-type: none"> <li>For use in South Korea</li> </ul>	441086-AD1
	<b>Broadcom 802.11a/b/g/n Sangria M/C WLAN modules:</b>	

Item	Description	Spare part number
	For use in Antigua & Barbuda, Argentina, Aruba, the Bahamas, Barbados, Bermuda, Brunei, Canada, the Cayman Islands, Chile, Colombia, Costa Rica, the Dominican Republic, Ecuador, El Salvador, Guam, Guatemala, Haiti, Honduras, Hong Kong, India, Indonesia, Malaysia, Mexico, Panama, Paraguay, Peru, Saudi Arabia, Taiwan, the United States, Uruguay, Venezuela, and Vietnam	487330-001
	For use in Austria, Azerbaijan, Bahrain, Belgium, Brazil, Bulgaria, Croatia, Cyprus, the Czech Republic, Denmark, Egypt, Estonia, Finland, France, Georgia, Germany, Greece, Hungary, Iceland, Ireland, Israel, Italy, Latvia, Lebanon, Liechtenstein, Lithuania, Luxembourg, Malta, Monaco, the Netherlands, Norway, Oman, the Philippines, Poland, Portugal, Qatar, Romania, Russia, Serbia and Montenegro, Singapore, Slovakia, Slovenia, South Africa, Spain, Sri Lanka, Sweden, Switzerland, Turkey, Ukraine, the United Kingdom, and Uzbekistan	487330-002
	<b>Intel 802.11a/b/g WLAN modules:</b>	
	<ul style="list-style-type: none"> <li>For use in Antigua &amp; Barbuda, Argentina, Aruba, the Bahamas, Barbados, Bermuda, Brunei, Canada, the Cayman Islands, Chile, Colombia, Costa Rica, the Dominican Republic, Ecuador, El Salvador, Guam, Guatemala, Haiti, Honduras, Hong Kong, India, Indonesia, Malaysia, Mexico, Panama, Paraguay, Peru, Saudi Arabia, Taiwan, the United States, Uruguay, Venezuela, and Vietnam</li> </ul>	441082-001 and 451861-001
	<ul style="list-style-type: none"> <li>For use in Austria, Azerbaijan, Bahrain, Belgium, Brazil, Bulgaria, Croatia, Cyprus, the Czech Republic, Denmark, Egypt, Estonia, Finland, France, Georgia, Germany, Greece, Hungary, Iceland, Ireland, Israel, Italy, Latvia, Lebanon, Liechtenstein, Lithuania, Luxembourg, Malta, Monaco, the Netherlands, Norway, Oman, the Philippines, Poland, Portugal, Qatar, Romania, Russia, Serbia and Montenegro, Singapore, Slovakia, Slovenia, South Africa, Spain, Sri Lanka, Sweden, Switzerland, Turkey, Ukraine, the United Kingdom, and Uzbekistan</li> </ul>	441082-002 and 451861-002
	<ul style="list-style-type: none"> <li>For use in Australia, New Zealand, Pakistan, the People's Republic of China, and South Korea</li> </ul>	441082-003 and 451861-003
	<ul style="list-style-type: none"> <li>For use in Japan</li> </ul>	441082-292 and 451861-291
	<b>Intel 802.11b/g WLAN module for use in Thailand</b>	451861-004
	<b>Broadcom 802.11b/g WLAN modules:</b>	
	<ul style="list-style-type: none"> <li>For use in Canada, the Cayman Islands, Guam, Puerto Rico, the U.S. Virgin Islands, and the United States</li> </ul>	459263-001

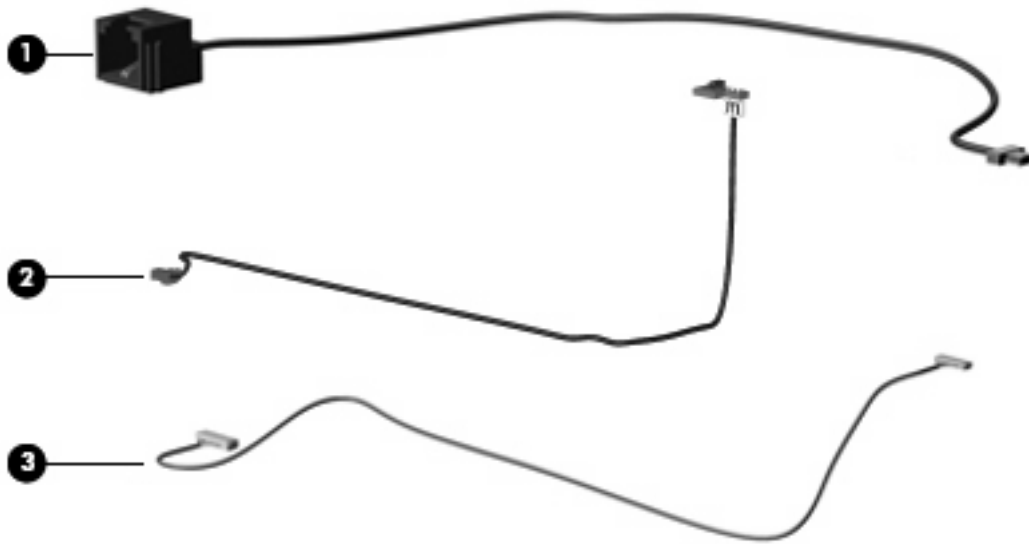
Item	Description	Spare part number
	<ul style="list-style-type: none"> <li>For use in Afghanistan, Albania, Algeria, Andorra, Angola, Antigua &amp; Barbuda, Argentina, Armenia, Aruba, Australia, Austria, Azerbaijan, the Bahamas, Bahrain, Bangladesh, Barbados, Belarus, Belgium, Belize, Benin, Bermuda, Bhutan, Bolivia, Bosnia &amp; Herzegovina, Botswana, Brazil, the British Virgin Islands, Brunei, Bulgaria, Burkina Faso, Burundi, Cambodia, Cameroon, Cape Verde, the Central African Republic, Chad, Chile, Colombia, Comoros, the Congo, Costa Rica, Croatia, Cyprus, the Czech Republic, Denmark, Djibouti, Dominica, the Dominican Republic, East Timor, Ecuador, Egypt, El Salvador, Equatorial Guinea, Eritrea, Estonia, Ethiopia, Fiji, Finland, France, French Guiana, Gabon, Gambia, Georgia, Germany, Ghana, Gibraltar, Greece, Grenada, Guadeloupe, Guatemala, Guinea, Guinea-Bissa, Guyana, Haiti, Honduras, Hong Kong, Hungary, Iceland, India, Indonesia, Ireland, Israel, Italy, the Ivory Coast, Jamaica, Jordan, Kazakhstan, Kenya, Kiribati, Kuwait, Kyrgyzstan, Laos, Latvia, Lebanon, Lesotho, Liberia, Liechtenstein, Lithuania, Luxembourg, Macedonia, Madagascar, Malawi, Malaysia, the Maldives, Mali, Malta, the Marshall Islands, Martinique, Mauritania, Mauritius, Mexico, Micronesia, Monaco, Mongolia, Montenegro, Morocco, Mozambique, Namibia, Nauru, Nepal, the Nether Antilles, the Netherlands, New Zealand, Nicaragua, Niger, Nigeria, Norway, Oman, Palau, Panama, Papua New Guinea, Paraguay, the People's Republic of China, Peru, the Philippines, Poland, Portugal, Qatar, the Republic of Moldova, Romania, Russia, Rwanda, Samoa, San Marino, Sao Tome &amp; Principe, Saudi Arabia, Senegal, Serbia and Montenegro, the Seychelles, Sierra Leone, Singapore, Slovakia, Slovenia, the Solomon Islands, Somalia, South Africa, South Korea, Spain, Sri Lanka, St. Kitts &amp; Nevis, St. Lucia, St. Vincent &amp; Grenada, Suriname, Swaziland, Sweden, Switzerland, Taiwan, Tajikistan, Tanzania, Thailand, Togo, Tonga, Trinidad &amp; Tobago, Tunisia, Turkey, Turkmenistan, Tuvalu, Uganda, Ukraine, the United Arab Emirates, the United Kingdom, Uruguay, Uzbekistan, Vanuatu, Venezuela, Vietnam, Yemen, Zaire, Zambia, and Zimbabwe</li> </ul>	459263-002
<b>(20)</b>	<b>Memory modules (PC2-5300, 667-MHz, DDR2)</b>	
	2-GB	500759-001
	1-GB	500758-001
	512-MB	500760-001
<b>(21)</b>	<b>Hard drives (include hard drive bracket)</b>	
	250-GB, 5400-rpm	500763-001
	160-GB, 5400-rpm	500762-001
	120-GB, 5400-rpm	500761-001
<b>(22)</b>	<b>Optical drives (include bezel and bracket)</b>	
	Supports the following PATA optical drives:	
	DVD±RW and CD-RW SuperMulti Double-Layer Combo Drive with LightScribe	500768-001
	DVD/CD-RW Combo Drive	500767-001
	DVD-ROM Drive	500766-001
	Supports the following SATA optical drives:	
	DVD±RW and CD-RW SuperMulti Double-Layer Combo Drive with LightScribe	507116-001
	DVD/CD-RW Combo Drive	507117-001
	DVD-ROM Drive	507115-001
	<b>Cable Kit</b> (not illustrated; see <a href="#">Cable Kit on page 22</a> for more Cable Kit spare part number information)	456594-001

## Plastics Kit



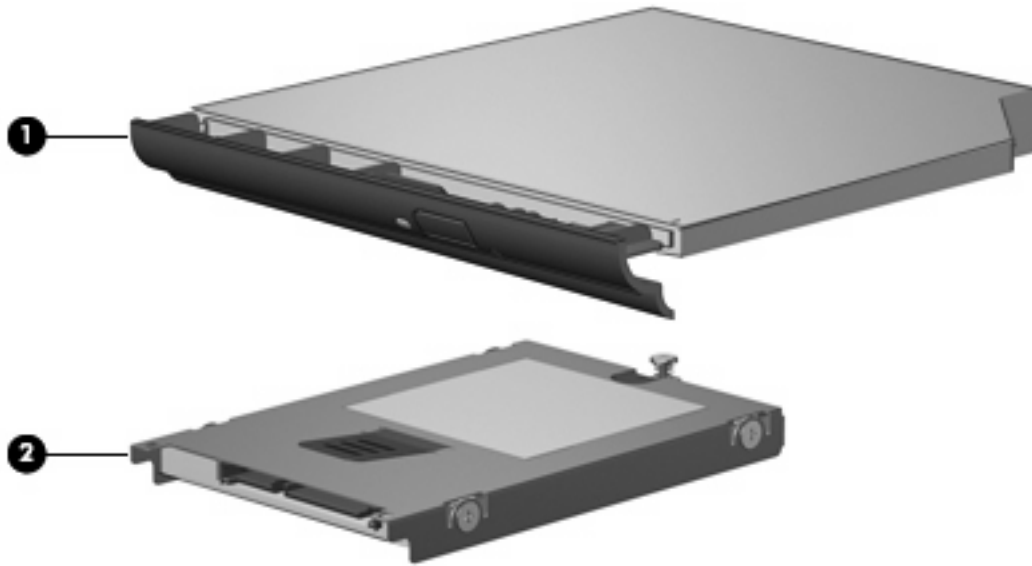
Item	Description	Spare part number
	<b>Plastics Kit:</b>	456614-001
(1)	Hard drive bay cover (includes 2 captive screws, secured by C-clips)	
(2)	WLAN module compartment cover (includes one captive screw, secured by a C-clip)	
(3)	ExpressCard slot protective insert	
(4)	Memory module compartment cover (includes one captive screw, secured by a C-clip)	
(5)	Optical drive bay protective insert (not illustrated)	

## Cable Kit



Item	Description	Spare part number
	<b>Cable Kit:</b>	456594-001
(1)	RJ-11 jack cable	
(2)	Display lid switch module and cable	
(3)	Bluetooth module cable	

# Mass storage devices



Item	Description	Spare part number
(1)	<b>Optical drives</b> (include bezel and bracket)	
	Supports the following PATA optical drives:	
	DVD±RW and CD-RW SuperMulti Double-Layer Combo Drive with LightScribe	500768-001
	DVD/CD-RW Combo Drive	500767-001
	DVD-ROM Drive	500766-001
	Supports the following SATA optical drives:	
	DVD±RW and CD-RW SuperMulti Double-Layer Combo Drive with LightScribe	507116-001
	DVD/CD-RW Combo Drive	507117-001
	DVD-ROM Drive	507115-001
(2)	<b>Hard drives</b> (include bracket)	
	250-GB, 5400-rpm	500763-001
	160-GB, 5400-rpm	500762-001
	120-GB, 5400-rpm	500761-001

## Miscellaneous parts

Description	Spare part number
<b>65-W AC adapter</b>	417220-001
<b>Logo Kit</b>	495408-001
<b>Nylon carrying case</b>	325814-001
<b>USB 1.1 diskette drive</b>	359118-001
<b>Power cords:</b>	
For use in Argentina	490371-D01
For use in Australia	490371-011
For use in Brazil	490371-201
For use in Denmark	490371-081
For use in Europe, the Middle East, and Africa	490371-021
For use in India	490371-D61
For use in Israel	490371-BB1
For use in Italy	490371-061
For use in Japan	490371-291
For use in the People's Republic of China	490371-AA1
For use in South Africa	490371-AR1
For use in South Korea	490371-AD1
For use in Switzerland	490371-111
For use in Taiwan	490371-AB1
For use in the United Kingdom	490371-031



Description	Spare part number
For use the United States	490371-001
<b>Screw Kit</b>	500131-001
<ul style="list-style-type: none"> <li>• Phillips PM3.0×4.0 screw</li> <li>• Phillips PM2.5×12.0 captive screw</li> <li>• Phillips PM2.5×10.0 captive screw</li> <li>• Phillips PM2.5×7.0 captive screw</li> <li>• Phillips PM2.5×7.0 screw</li> <li>• Phillips PM2.5×4.0 screw</li> <li>• Phillips PM2.0×8.0 screw</li> <li>• Phillips PM2.0×6.0 screw</li> <li>• Phillips PM2.0×5.0 captive screw</li> <li>• Phillips PM2.0×4.0 screw</li> <li>• Phillips PM2.0×2.0 broadhead screw</li> <li>• Torx T8M2.5×9.0 screw</li> <li>• Slotted Torx ST8M2.5×7.0 screw</li> <li>• Torx T8M2.5×6.0 screw</li> <li>• Torx T8M2.5×4.0 screw</li> <li>• Torx T8M2.5×3.0 broadhead screw</li> <li>• Torx T8M2.0×4.0 screw</li> </ul>	

## Sequential part number listing

Spare part number	Description
398393-002	Bluetooth module for use in North America  <b>NOTE:</b> The Bluetooth module spare part kits do not include a Bluetooth module cable. The Bluetooth module cable is included in the Cable Kit, spare part number 456594-001. See <a href="#">Cable Kit on page 22</a> for more Cable Kit spare part number information.
417220-001	65-W AC adapter
431312-001	Fan
441082-001	Intel 802.11a/b/g WLAN module for use in Antigua & Barbuda, Argentina, Aruba, the Bahamas, Barbados, Bermuda, Brunei, Canada, the Cayman Islands, Chile, Colombia, Costa Rica, the Dominican Republic, Ecuador, El Salvador, Guam, Guatemala, Haiti, Honduras, Hong Kong, India, Indonesia, Malaysia, Mexico, Panama, Paraguay, Peru, Saudi Arabia, Taiwan, the United States, Uruguay, Venezuela, and Vietnam

Spare part number	Description
441082-002	Intel 802.11a/b/g WLAN module for use in Austria, Azerbaijan, Bahrain, Belgium, Brazil, Bulgaria, Croatia, Cyprus, the Czech Republic, Denmark, Egypt, Estonia, Finland, France, Georgia, Germany, Greece, Hungary, Iceland, Ireland, Israel, Italy, Latvia, Lebanon, Liechtenstein, Lithuania, Luxembourg, Malta, Monaco, the Netherlands, Norway, Oman, the Philippines, Poland, Portugal, Qatar, Romania, Russia, Serbia and Montenegro, Singapore, Slovakia, Slovenia, South Africa, Spain, Sri Lanka, Sweden, Switzerland, Turkey, Ukraine, the United Kingdom, and Uzbekistan
441082-003	Intel 802.11a/b/g WLAN module for use in Australia, New Zealand, Pakistan, the People's Republic of China, and South Korea
441082-292	Intel 802.11a/b/g WLAN module for use in Japan
441086-001	Intel 802.11a/b/g/n WLAN module for use in the United States
441086-002	Intel 802.11a/b/g/n WLAN module for use in Austria, Azerbaijan, Bahrain, Belgium, Brazil, Bulgaria, Croatia, Cyprus, the Czech Republic, Denmark, Egypt, Estonia, Finland, France, Georgia, Germany, Greece, Hungary, Iceland, Ireland, Israel, Italy, Latvia, Lebanon, Liechtenstein, Lithuania, Luxembourg, Malta, Monaco, the Netherlands, Norway, Oman, the Philippines, Poland, Portugal, Qatar, Romania, Russia, Serbia and Montenegro, Singapore, Slovakia, Slovenia, South Africa, Spain, Sri Lanka, Sweden, Switzerland, Turkey, Ukraine, the United Kingdom, and Uzbekistan
441086-003	Intel 802.11a/b/g/n WLAN module for use in Australia, New Zealand, Pakistan, and the People's Republic of China
441086-AD1	Intel 802.11a/b/g/n WLAN module for use in South Korea
449137-001	RTC battery
450066-001	Bluetooth module for use in Japan and Asia Pacific countries and regions
	<b>NOTE:</b> The Bluetooth module spare part kits do not include a Bluetooth module cable. The Bluetooth module cable is included in the Cable Kit, spare part number 456594-001. See <a href="#">Cable Kit on page 22</a> for more Cable Kit spare part number information.
451861-001	Intel 802.11a/b/g WLAN module for use in Antigua & Barbuda, Argentina, Aruba, the Bahamas, Barbados, Bermuda, Brunei, Canada, the Cayman Islands, Chile, Colombia, Costa Rica, the Dominican Republic, Ecuador, El Salvador, Guam, Guatemala, Haiti, Honduras, Hong Kong, India, Indonesia, Malaysia, Mexico, Panama, Paraguay, Peru, Saudi Arabia, Taiwan, the United States, Uruguay, Venezuela, and Vietnam
451861-002	Intel 802.11a/b/g WLAN module for use in Austria, Azerbaijan, Bahrain, Belgium, Brazil, Bulgaria, Croatia, Cyprus, the Czech Republic, Denmark, Egypt, Estonia, Finland, France, Georgia, Germany, Greece, Hungary, Iceland, Ireland, Israel, Italy, Latvia, Lebanon, Liechtenstein, Lithuania, Luxembourg, Malta, Monaco, the Netherlands, Norway, Oman, the Philippines, Poland, Portugal, Qatar, Romania, Russia, Serbia and Montenegro, Singapore, Slovakia, Slovenia, South Africa, Spain, Sri Lanka, Sweden, Switzerland, Turkey, Ukraine, the United Kingdom, and Uzbekistan
4451861-003	Intel 802.11a/b/g WLAN module for use in Australia, New Zealand, Pakistan, the People's Republic of China, and South Korea
451861-004	Intel 802.11b/g WLAN module for use in Thailand
451861-291	Intel 802.11a/b/g WLAN module for use in Japan
456593-001	Speaker
456594-001	Cable Kit (see <a href="#">Cable Kit on page 22</a> for more Cable Kit spare part information)
456605-001	Heat sink (includes replacement thermal material)
456614-001	Plastics Kit (see <a href="#">Plastics Kit on page 21</a> for more Plastics Kit spare part information)
456618-001	Display inverter
456805-001	Optical drive connector board (PATA)

Spare part number	Description
456806-001	Display hinges (includes left and right hinges)
459263-001	Broadcom 802.11b/g WLAN module for use in Canada, Cayman Islands, Guam, Puerto Rico, the U.S. Virgin Islands, and the United States
459263-002	Broadcom 802.11b/g WLAN module for use in Afghanistan, Albania, Algeria, Andorra, Angola, Antigua and Barbuda, Argentina, Armenia, Aruba, Australia, Austria, Azerbaijan, the Bahamas, Bahrain, Bangladesh, Barbados, Belarus, Belgium, Belize, Benin, Bermuda, Bhutan, Bolivia, Bosnia and Herzegovina, Botswana, Brazil, the British Virgin Islands, Brunei, Bulgaria, Burkina Faso, Burundi, Cameroon, Cape Verde, the Central African Republic, Chad, Chile, the People's Republic of China, Colombia, Comoros, the Congo, Costa Rica, Croatia, Cyprus, the Czech Republic, Denmark, Djibouti, Dominica, the Dominican Republic, East Timor, Ecuador, Egypt, El Salvador, Equatorial Guinea, Eritrea, Estonia, Ethiopia, Fiji, Finland, France, French Guiana, Gabon, Gambia, Georgia, Germany, Ghana, Gibraltar, Greece, Grenada, Guadeloupe, Guatemala, Guinea, Guinea-Bissau, Guyana, Haiti, Honduras, Hong Kong, Hungary, Iceland, India, Ireland, Israel, Italy, the Ivory Coast, Jamaica, Jordan, Kazakhstan, Kenya, Kiribati, Kyrgyzstan, Laos, Latvia, Lebanon, Lesotho, Liberia, Liechtenstein, Lithuania, Luxembourg, Macedonia, Madagascar, Malawi, Malaysia, the Maldives, Mali, Malta, the Marshall Islands, Martinique, Mauritania, Mauritius, Mexico, Micronesia, Monaco, Mongolia, Montenegro, Morocco, Mozambique, Namibia, Nauru, Nepal, the Nether Antilles, the Netherlands, New Zealand, Nicaragua, Niger, Nigeria, Norway, Oman, Pakistan, Palau, Panama, Papua New Guinea, Paraguay, Peru, the Philippines, Poland, Portugal, the Republic of Moldova, Romania, Russia, Rwanda, Samoa, San Marino, Sao Tome & Principe, Saudi Arabia, Senegal, Serbia and Montenegro, the Seychelles, Sierra Leone, Singapore, Slovakia, Slovenia, the Solomon Islands, Somalia, South Africa, South Korea, Spain, Sri Lanka, St. Kitts & Nevis, St. Lucia, St. Vincent & Grenada, Suriname, Swaziland, Sweden, Switzerland, Taiwan, Tajikistan, Tanzania, Togo, Tonga, Trinidad and Tobago, Tunisia, Turkey, Turkmenistan, Tuvalu, Uganda, Ukraine, the United Arab Emirates, the United Kingdom, Uruguay, Uzbekistan, Vanuatu, Venezuela, Vietnam, Yemen, Zaire, Zambia, and Zimbabwe
461749-001	Modem module (includes modem module cable)  <b>NOTE:</b> The modem module spare part kit does not include a modem module cable. The modem module cable is included in the Cable Kit, spare part number 456594-001. See <a href="#">Cable Kit on page 22</a> for more Cable Kit spare part number information.
461749-011	Modem module (includes modem module cable) for use in Australia and New Zealand  <b>NOTE:</b> The modem module spare part kit does not include a modem module cable. The modem module cable is included in the Cable Kit, spare part number 456594-001.
487330-001	Broadcom 802.11a/b/g/n WLAN module for use in Antigua & Barbuda, Argentina, Aruba, the Bahamas, Barbados, Bermuda, Brunei, Canada, the Cayman Islands, Chile, Colombia, Costa Rica, the Dominican Republic, Ecuador, El Salvador, Guam, Guatemala, Haiti, Honduras, Hong Kong, India, Indonesia, Malaysia, Mexico, Panama, Paraguay, Peru, Saudi Arabia, Taiwan, the United States, Uruguay, Venezuela, and Vietnam
487330-002	Broadcom 802.11a/b/g/n WLAN module for use in Austria, Azerbaijan, Bahrain, Belgium, Brazil, Bulgaria, Croatia, Cyprus, the Czech Republic, Denmark, Egypt, Estonia, Finland, France, Georgia, Germany, Greece, Hungary, Iceland, Ireland, Israel, Italy, Latvia, Lebanon, Liechtenstein, Lithuania, Luxembourg, Malta, Monaco, the Netherlands, Norway, Oman, the Philippines, Poland, Portugal, Qatar, Romania, Russia, Serbia and Montenegro, Singapore, Slovakia, Slovenia, South Africa, Spain, Sri Lanka, Sweden, Switzerland, Turkey, Ukraine, the United Kingdom, and Uzbekistan
490371-001	Power cord for use in the United States
490371-011	Power cord for use in Australia and New Zealand
490371-021	Power cord for use in Europe, the Middle East, Africa
490371-031	Power cord for use in the United Kingdom
490371-061	Power cord for use in Italy
490371-081	Power cord for use in Denmark
490371-111	Power cord for use in Switzerland

Spare part number	Description
490371-201	Power cord for use in Brazil
490371-291	Power cord for use in Japan
490371-AA1	Power cord for use in the People's Republic of China
490371-AB1	Power cord for use in Taiwan
490371-AD1	Power cord for use in South Korea
490371-AR1	Power cord for use in Africa
490371-BB1	Power cord for use in Israel
490371-D01	Power cord for use in Argentina
490371-D61	Power cord for use in India
495383-001	Intel Core2 Duo T5270 1.40-GHz processor (2-MB L2 cache, 800-MHz FSB, includes replacement thermal material)
495385-001	15.4-inch, WXGA display assembly (includes 2 WLAN antenna transceivers and cables)
495386-001	Optical drive connector board (SATA)
495388-001	Switch cover (includes button board and cable)
495395-001	System board for use only with computer models equipped with Intel GLE960 graphics chipset, Intel UMA graphics subsystem, and PATA optical drive (includes replacement thermal material and the ExpressCard assembly)
495397-001	System board for use only with computer models equipped with Intel GLE960 graphics chipset, Intel UMA graphics subsystem, and SATA optical drive (includes replacement thermal material and the ExpressCard assembly)
495398-001	Base enclosure (includes rubber feet)
495399-001	Top cover (includes TouchPad board and cable, and TouchPad button board and cable)
495400-001	Keyboard for use in the United States
495400-031	Keyboard for use in the United Kingdom
495400-041	Keyboard for use in Germany
495400-051	Keyboard for use in France
495400-061	Keyboard for use in Italy
495400-071	Keyboard for use in Spain
495400-081	Keyboard for use in Denmark
495400-091	Keyboard for use in Norway
495400-121	Keyboard for use in French Canada
495400-131	Keyboard for use in Portugal
495400-141	Keyboard for use in Turkey
495400-161	Keyboard for use in Latin America
495400-171	Keyboard for use in Saudi Arabia
495400-181	Keyboard for use in Belgium

Spare part number	Description
495400-201	Keyboard for use in Brazil
495400-211	Keyboard for use in Hungary
495400-221	Keyboard for use in the Czech Republic
495400-231	Keyboard for use in Slovakia
495400-251	Keyboard for use in Russia
495400-281	Keyboard for use in Thailand
495400-291	Keyboard for use in Japan
495400-AB1	Keyboard for use in Taiwan
495400-AD1	Keyboard for use in South Korea
495400-B31	Keyboard for use in the Netherlands
495400-B71	Keyboard for use in Sweden and Finland
495400-BA1	Keyboard for use in Slovenia
495400-BB1	Keyboard for use in Israel
495400-BG1	Keyboard for use in Switzerland
495400-DD1	Keyboard for use in Iceland
495400-DJ1	Keyboard for use in Greece
495402-001	Display enclosure (includes 2 WLAN antenna transceivers and cables)
495404-001	System board for use only with computer models equipped with Intel GME965 graphics chipset, Intel UMA graphics subsystem, and SATA optical drive (includes replacement thermal material and the ExpressCard assembly)
495408-001	Logo Kit
495410-001	System board for use only with computer models equipped with Intel GME965 graphics chipset, Intel UMA graphics subsystem, and PATA optical drive (includes replacement thermal material and the ExpressCard assembly)
500131-001	Screw Kit
500132-001	Rubber Kit (contains 4 computer feet and 8 display bezel screw covers)
500756-001	Intel Celeron M P530 1.73-GHz processor (1-MB L2 cache, 533-MHz FSB, includes replacement thermal material)
500757-001	Intel Core2 Duo T5470 1.40-GHz processor (2-MB L2 cache, 800-MHz FSB, includes replacement thermal material)
500758-001	1-GB memory module (PC2-5300, 667-MHz, DDR2)
500759-001	2-GB memory module (PC2-5300, 667-MHz, DDR2)
500760-001	512-MB memory module (PC2-5300, 667-MHz, DDR2)
500761-001	120-GB, 5400-rpm hard drive (includes bracket)
500762-001	160-GB, 5400-rpm hard drive (includes bracket)
500763-001	250-GB, 5400-rpm hard drive (includes bracket)

Spare part number	Description
500764-001	6-cell, 47-Wh Li-ion battery
500766-001	DVD-ROM Drive (includes bezel and bracket) (PATA)
500767-001	DVD/CD-RW Combo Drive (includes bezel and bracket) (PATA)
500768-001	DVD±RW and CD-RW SuperMulti Double-Layer Combo Drive with LightScribe (includes bezel and bracket) (PATA)
506446-xx1	T1400 1.73-GHz processor (1-MB L2 cache, 533-MHz FSB)
507115-001	DVD-ROM Drive (includes bezel and bracket) (SATA)
507116-001	DVD±RW and CD-RW SuperMulti Double-Layer Combo Drive with LightScribe (includes bezel and bracket) (SATA)
507117-001	DVD/CD-RW Combo Drive (includes bezel and bracket) (SATA)
508758-001	T5670 1.80-GHz processor (2-MB L2 cache, 800-MHz FSB)
508759-001	P550 2.0-GHz processor (1-MB L2 cache, 533-MHz FSB)
508816-001	Display Cable Kit (contains 2 wireless antennae)

---

# 4 Removal and replacement procedures

## Preliminary replacement requirements

### Tools required


You will need the following tools to complete the removal and replacement procedures:

- Flat-bladed screwdriver
- Magnetic screwdriver
- Phillips P0 and P1 screwdrivers
- Torx T8 screwdriver

### Service considerations

The following sections include some of the considerations that you must keep in mind during disassembly and assembly procedures.

---

 **NOTE:** As you remove each subassembly from the computer, place the subassembly (and all accompanying screws) away from the work area to prevent damage.

---

### Plastic parts

Using excessive force during disassembly and reassembly can damage plastic parts. Use care when handling the plastic parts. Apply pressure only at the points designated in the maintenance instructions.

## Cables and connectors

- 
- △ **CAUTION:** When servicing the computer, be sure that cables are placed in their proper locations during the reassembly process. Improper cable placement can damage the computer.
- 

Cables must be handled with extreme care to avoid damage. Apply only the tension required to unseat or seat the cables during removal and insertion. Handle cables by the connector whenever possible. In all cases, avoid bending, twisting, or tearing cables. Be sure that cables are routed in such a way that they cannot be caught or snagged by parts being removed or replaced. Handle flex cables with extreme care; these cables tear easily.

## Drive handling

- 
- △ **CAUTION:** Drives are fragile components that must be handled with care. To prevent damage to the computer, damage to a drive, or loss of information, observe these precautions:
- 

Before removing or inserting a hard drive, shut down the computer. If you are unsure whether the computer is off or in Hibernation, turn the computer on, and then shut it down through the operating system.

Before handling a drive, be sure that you are discharged of static electricity. While handling a drive, avoid touching the connector.

Before removing a diskette drive or optical drive, be sure that a diskette or disc is not in the drive and be sure that the optical drive tray is closed.

Handle drives on surfaces covered with at least one inch of shock-proof foam.

Avoid dropping drives from any height onto any surface.

After removing a hard drive, an optical drive, or a diskette drive, place it in a static-proof bag.

Avoid exposing a hard drive to products that have magnetic fields, such as monitors or speakers.

Avoid exposing a drive to temperature extremes or liquids.

If a drive must be mailed, place the drive in a bubble pack mailer or other suitable form of protective packaging and label the package "FRAGILE."

---



# Grounding guidelines

## Electrostatic discharge damage

Electronic components are sensitive to electrostatic discharge (ESD). Circuitry design and structure determine the degree of sensitivity. Networks built into many integrated circuits provide some protection, but in many cases, ESD contains enough power to alter device parameters or melt silicon junctions.

A discharge of static electricity from a finger or other conductor can destroy static-sensitive devices or microcircuitry. Even if the spark is neither felt nor heard, damage may have occurred.

An electronic device exposed to ESD may not be affected at all and can work perfectly throughout a normal cycle. Or the device may function normally for a while, then degrade in the internal layers, reducing its life expectancy.

△ **CAUTION:** To prevent damage to the computer when you are removing or installing internal components, observe these precautions:

Keep components in their electrostatic-safe containers until you are ready to install them.

Use nonmagnetic tools.

Before touching an electronic component, discharge static electricity by using the guidelines described in this section.

Avoid touching pins, leads, and circuitry. Handle electronic components as little as possible.

If you remove a component, place it in an electrostatic-safe container.

The following table shows how humidity affects the electrostatic voltage levels generated by different activities.

△ **CAUTION:** A product can be degraded by as little as 700 V.

Typical electrostatic voltage levels			
Event	Relative humidity		
	10%	40%	55%
Walking across carpet	35,000 V	15,000 V	7,500 V
Walking across vinyl floor	12,000 V	5,000 V	3,000 V
Motions of bench worker	6,000 V	800 V	400 V
Removing DIPS from plastic tube	2,000 V	700 V	400 V
Removing DIPS from vinyl tray	11,500 V	4,000 V	2,000 V
Removing DIPS from Styrofoam	14,500 V	5,000 V	3,500 V
Removing bubble pack from PCB	26,500 V	20,000 V	7,000 V
Packing PCBs in foam-lined box	21,000 V	11,000 V	5,000 V

## Packaging and transporting guidelines

Follow these grounding guidelines when packaging and transporting equipment:

- To avoid hand contact, transport products in static-safe tubes, bags, or boxes.
- Protect ESD-sensitive parts and assemblies with conductive or approved containers or packaging.
- Keep ESD-sensitive parts in their containers until the parts arrive at static-free workstations.
- Place items on a grounded surface before removing items from their containers.
- Always be properly grounded when touching a component or assembly.
- Store reusable ESD-sensitive parts from assemblies in protective packaging or nonconductive foam.
- Use transporters and conveyors made of antistatic belts and roller bushings. Be sure that mechanized equipment used for moving materials is wired to ground and that proper materials are selected to avoid static charging. When grounding is not possible, use an ionizer to dissipate electric charges.

## Workstation guidelines

Follow these grounding workstation guidelines:

- Cover the workstation with approved static-shielding material.
- Use a wrist strap connected to a properly grounded work surface and use properly grounded tools and equipment.
- Use conductive field service tools, such as cutters, screwdrivers, and vacuums.
- When fixtures must directly contact dissipative surfaces, use fixtures made only of static-safe materials.
- Keep the work area free of nonconductive materials, such as ordinary plastic assembly aids and Styrofoam.
- Handle ESD-sensitive components, parts, and assemblies by the case or PCM laminate. Handle these items only at static-free workstations.
- Avoid contact with pins, leads, or circuitry.
- Turn off power and input signals before inserting or removing connectors or test equipment.

## Equipment guidelines

Grounding equipment must include either a wrist strap or a foot strap at a grounded workstation.

- When seated, wear a wrist strap connected to a grounded system. Wrist straps are flexible straps with a minimum of one megohm  $\pm 10\%$  resistance in the ground cords. To provide proper ground, wear a strap snugly against the skin at all times. On grounded mats with banana-plug connectors, use alligator clips to connect a wrist strap.
- When standing, use foot straps and a grounded floor mat. Foot straps (heel, toe, or boot straps) can be used at standing workstations and are compatible with most types of shoes or boots. On conductive floors or dissipative floor mats, use foot straps on both feet with a minimum of one megohm resistance between the operator and ground. To be effective, the conductive strips must be worn in contact with the skin.

The following grounding equipment is recommended to prevent electrostatic damage:

- Antistatic tape
- Antistatic smocks, aprons, and sleeve protectors
- Conductive bins and other assembly or soldering aids
- Nonconductive foam
- Conductive tabletop workstations with ground cords of one megohm resistance
- Static-dissipative tables or floor mats with hard ties to the ground
- Field service kits
- Static awareness labels
- Material-handling packages
- Nonconductive plastic bags, tubes, or boxes
- Metal tote boxes
- Electrostatic voltage levels and protective materials

The following table lists the shielding protection provided by antistatic bags and floor mats.

Material	Use	Voltage protection level
Antistatic plastic	Bags	1,500 V
Carbon-loaded plastic	Floor mats	7,500 V
Metallized laminate	Floor mats	5,000 V

## Unknown user password

If the computer you are servicing has an unknown user password, follow these steps to clear the password:

---

 **NOTE:** These steps also clear CMOS.

---

1. Shut down the computer. If you are unsure whether the computer is off or in Hibernation, turn the computer on, and then shut it down through the operating system.
2. Disconnect all external devices connected to the computer.
3. Disconnect the power from the computer by first unplugging the power cord from the AC outlet and then unplugging the AC adapter from the computer.
4. Remove the battery (see [Battery on page 39](#)).
5. Remove the real-time clock (RTC) battery (see [RTC battery on page 78](#)).
6. Wait approximately 5 minutes.
7. Replace the RTC battery and reassemble the computer.
8. Connect AC power to the computer. Do not reinsert any batteries at this time.
9. Turn on the computer.

All passwords and all CMOS settings have been cleared.

# Component replacement procedures

This chapter provides removal and replacement procedures.

There are as many as 82 screws, in 18 different sizes, that must be removed, replaced, or loosened when servicing the computer. Make special note of each screw size and location during removal and replacement.

## Serial number

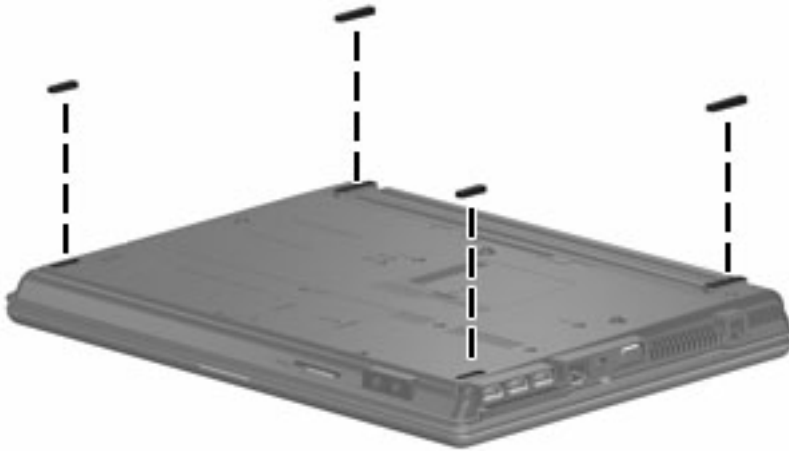
Report the computer serial number to HP when requesting information or ordering spare parts. The serial number is located on the bottom of the computer.



- Product Name (1). This is the product name affixed to the front of the computer.
- Serial Number (s/n) (2). This is an alphanumeric identifier that is unique to each product.
- Part Number/Product Number (p/n) (3). This number provides specific information about the product's hardware components. The part number helps a service technician to determine what components and parts are needed.
- Model Description (4). This is the number you use to locate documents, drivers, and support for your notebook.
- Warranty Period (5). This number describes the duration (in years) of the warranty period for this computer.

## Computer feet

The computer feet are adhesive-backed rubber pads. The feet are included in the Rubber Kit, spare part number 500132-001. There are 4 rubber feet that attach to the base enclosure in the locations illustrated below.



## Battery

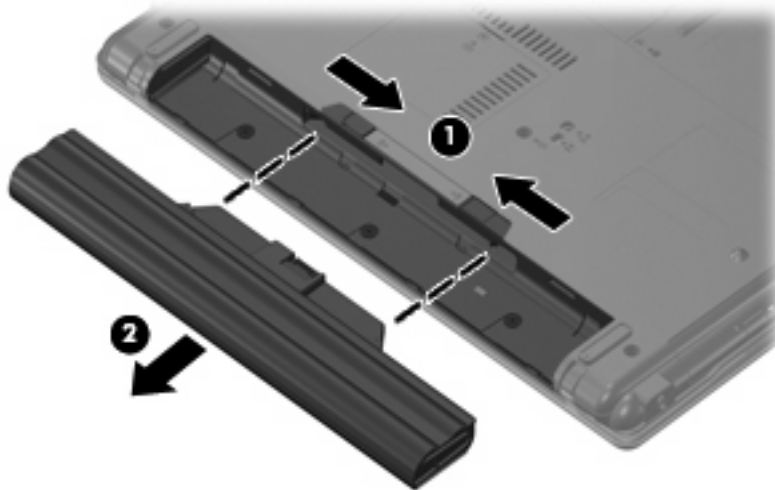
Description	Spare part number
6-cell, 47-Wh Li-ion battery	500764-001

Before disassembling the computer, follow these steps:

1. Shut down the computer. If you are unsure whether the computer is off or in Hibernation, turn the computer on, and then shut it down through the operating system.
2. Disconnect all external devices connected to the computer.
3. Disconnect the power from the computer by first unplugging the power cord from the AC outlet and then unplugging the AC adapter from the computer.

Remove the battery:

1. Turn the computer upside down on a flat surface, with the battery bay toward you.
2. Slide the battery release latches (1) to release the battery.
3. Remove the battery (2) from the computer.



Insert the battery into the battery bay until it is seated. The battery release latches automatically lock the battery into place.

## Hard drive

 **NOTE:** All hard drive spare part kits include a hard drive bracket.

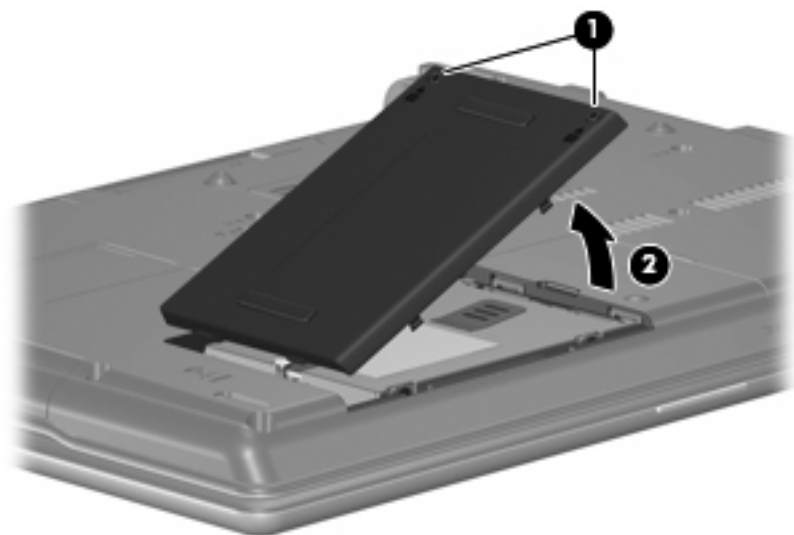
Description	Spare part number
250-GB, 5400-rpm hard drive	500763-001
160-GB, 5400-rpm hard drive	500762-001
120-GB, 5400-rpm hard drive	500761-001

Before disassembling the computer, follow these steps:

1. Shut down the computer. If you are unsure whether the computer is off or in Hibernation, turn the computer on, and then shut it down through the operating system.
2. Disconnect all external devices connected to the computer.
3. Disconnect the power from the computer by first unplugging the power cord from the AC outlet and then unplugging the AC adapter from the computer.
4. Remove the battery (see [Battery on page 39](#)).

Remove the hard drive:

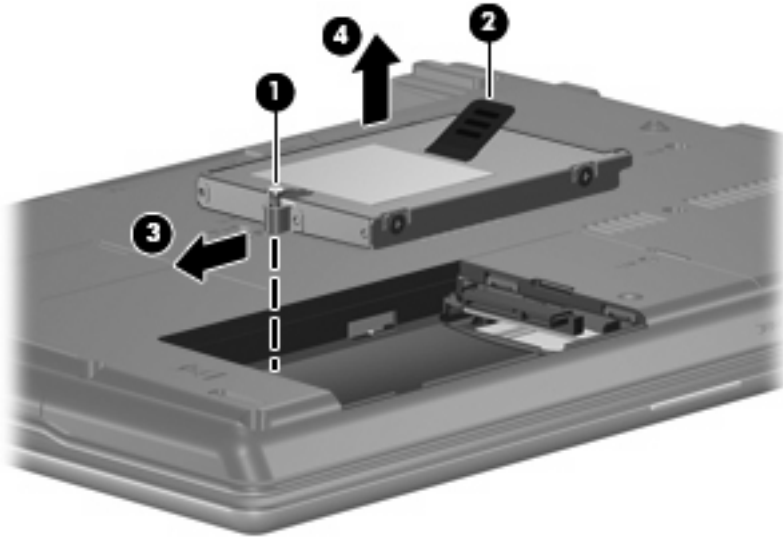
1. Position the computer with the front toward you.
2. Loosen the two Phillips PM2.0×5.0 captive screws (1) that secure the hard drive bay cover to the computer.
3. Lift the right side of the hard drive bay cover (2), swing it to left, and remove the cover. The hard drive bay cover is included in the Plastics Kit, spare part number 456614-001.



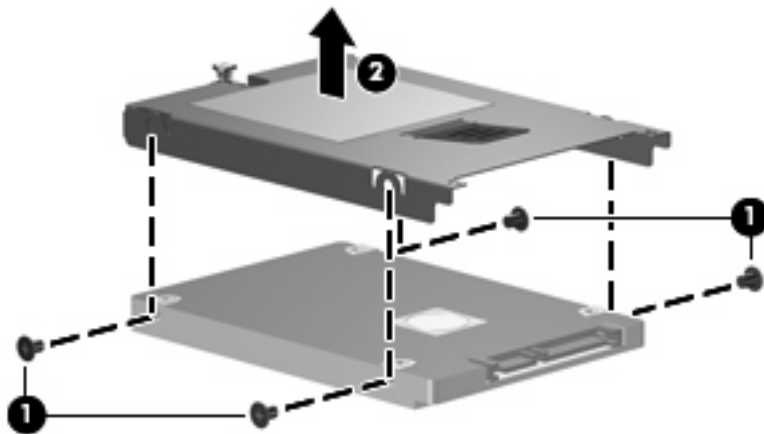
4. Loosen the Phillips PM2.5×12.0 captive screw (1) that secures the hard drive to the computer.
5. Grasp the Mylar tab (2) on the hard drive and slide the hard drive (3) to the left to disconnect it from the system board.



6. Remove the hard drive (4) from the hard drive bay.



7. If it is necessary to replace the hard drive bracket, remove the two Phillips PM3.0×4.0 hard drive bracket screws (1) from each side of the hard drive.
8. Lift the bracket (2) straight up to remove it from the hard drive.



Reverse this procedure to reassemble and install the hard drive.

## WLAN module

Description	Spare part number
Intel 802.11a/b/g/n WLAN modules:	
<ul style="list-style-type: none"> <li>For use in Antigua and Barbuda, Argentina, Aruba, the Bahamas, Barbados, Bermuda, Brunei, Canada, the Cayman Islands, Chile, Colombia, Costa Rica, the Dominican Republic, Ecuador, El Salvador, Guam, Guatemala, Haiti, Honduras, Hong Kong, India, Indonesia, Malaysia, Mexico, Panama, Paraguay, Peru, Saudi Arabia, Taiwan, Uruguay, the United States, Venezuela, and Vietnam</li> </ul>	441086-001
<ul style="list-style-type: none"> <li>For use in Austria, Azerbaijan, Bahrain, Belgium, Brazil, Bulgaria, Croatia, Cyprus, the Czech Republic, Denmark, Egypt, Estonia, Finland, France, Georgia, Germany, Greece, Hungary, Iceland, Ireland, Israel, Italy, Latvia, Lebanon, Liechtenstein, Lithuania, Luxembourg, Malta, Monaco, the Netherlands, Norway, Oman, the Philippines, Poland, Portugal, Qatar, Romania, Russia, Serbia and Montenegro, Singapore, Slovakia, Slovenia, South Africa, Spain, Sri Lanka, Sweden, Switzerland, Turkey, Ukraine, the United Kingdom, and Uzbekistan</li> </ul>	441086-002
<ul style="list-style-type: none"> <li>For use in Australia, New Zealand, Pakistan, the People's Republic of China, and South Korea</li> </ul>	441086-003
<ul style="list-style-type: none"> <li>For use in Japan</li> </ul>	441086-291
Broadcom 802.11a/b/g/n Sangria M/C WLAN modules:	
For use in Antigua & Barbuda, Argentina, Aruba, the Bahamas, Barbados, Bermuda, Brunei, Canada, the Cayman Islands, Chile, Colombia, Costa Rica, the Dominican Republic, Ecuador, El Salvador, Guam, Guatemala, Haiti, Honduras, Hong Kong, India, Indonesia, Malaysia, Mexico, Panama, Paraguay, Peru, Saudi Arabia, Taiwan, the United States, Uruguay, Venezuela, and Vietnam	487330-001
For use in Austria, Azerbaijan, Bahrain, Belgium, Brazil, Bulgaria, Croatia, Cyprus, the Czech Republic, Denmark, Egypt, Estonia, Finland, France, Georgia, Germany, Greece, Hungary, Iceland, Ireland, Israel, Italy, Latvia, Lebanon, Liechtenstein, Lithuania, Luxembourg, Malta, Monaco, the Netherlands, Norway, Oman, the Philippines, Poland, Portugal, Qatar, Romania, Russia, Serbia and Montenegro, Singapore, Slovakia, Slovenia, South Africa, Spain, Sri Lanka, Sweden, Switzerland, Turkey, Ukraine, the United Kingdom, and Uzbekistan	487330-002
Intel 802.11a/b/g WLAN modules:	
<ul style="list-style-type: none"> <li>For use in Antigua &amp; Barbuda, Argentina, Aruba, the Bahamas, Barbados, Bermuda, Brunei, Canada, the Cayman Islands, Chile, Colombia, Costa Rica, the Dominican Republic, Ecuador, El Salvador, Guam, Guatemala, Haiti, Honduras, Hong Kong, India, Indonesia, Malaysia, Mexico, Panama, Paraguay, Peru, Saudi Arabia, Taiwan, the United States, Uruguay, Venezuela, and Vietnam</li> </ul>	441082-001 and 451861-001
<ul style="list-style-type: none"> <li>For use in Austria, Azerbaijan, Bahrain, Belgium, Brazil, Bulgaria, Croatia, Cyprus, the Czech Republic, Denmark, Egypt, Estonia, Finland, France, Georgia, Germany, Greece, Hungary, Iceland, Ireland, Israel, Italy, Latvia, Lebanon, Liechtenstein, Lithuania, Luxembourg, Malta, Monaco, the Netherlands, Norway, Oman, the Philippines, Poland, Portugal, Qatar, Romania, Russia, Serbia and Montenegro, Singapore, Slovakia, Slovenia, South Africa, Spain, Sri Lanka, Sweden, Switzerland, Turkey, Ukraine, the United Kingdom, and Uzbekistan</li> </ul>	441082-002 and 451861-002
<ul style="list-style-type: none"> <li>For use in Australia, New Zealand, Pakistan, the People's Republic of China, and South Korea</li> </ul>	441082-003 and 451861-003
<ul style="list-style-type: none"> <li>For use in Japan</li> </ul>	441082-292 and 451861-291
Broadcom 802.11b/g WLAN modules:	
<ul style="list-style-type: none"> <li>For use in Canada, the Cayman Islands, Guam, Puerto Rico, the U.S. Virgin Islands, and the United States</li> </ul>	459263-001

Description	Spare part number
<ul style="list-style-type: none"> <li>For use in Afghanistan, Albania, Algeria, Andorra, Angola, Antigua &amp; Barbuda, Argentina, Armenia, Aruba, Australia, Austria, Azerbaijan, the Bahamas, Bahrain, Bangladesh, Barbados, Belarus, Belgium, Belize, Benin, Bermuda, Bhutan, Bolivia, Bosnia &amp; Herzegovina, Botswana, Brazil, the British Virgin Islands, Brunei, Bulgaria, Burkina Faso, Burundi, Cambodia, Cameroon, Cape Verde, the Central African Republic, Chad, Chile, Colombia, Comoros, the Congo, Costa Rica, Croatia, Cyprus, the Czech Republic, Denmark, Djibouti, Dominica, the Dominican Republic, East Timor, Ecuador, Egypt, El Salvador, Equatorial Guinea, Eritrea, Estonia, Ethiopia, Fiji, Finland, France, French Guiana, Gabon, Gambia, Georgia, Germany, Ghana, Gibraltar, Greece, Grenada, Guadeloupe, Guatemala, Guinea, Guinea-Bissa, Guyana, Haiti, Honduras, Hong Kong, Hungary, Iceland, India, Indonesia, Ireland, Israel, Italy, the Ivory Coast, Jamaica, Jordan, Kazakhstan, Kenya, Kiribati, Kuwait, Kyrgyzstan, Laos, Latvia, Lebanon, Lesotho, Liberia, Liechtenstein, Lithuania, Luxembourg, Macedonia, Madagascar, Malawi, Malaysia, the Maldives, Mali, Malta, the Marshall Islands, Martinique, Mauritania, Mauritius, Mexico, Micronesia, Monaco, Mongolia, Montenegro, Morocco, Mozambique, Namibia, Nauru, Nepal, the Nether Antilles, the Netherlands, New Zealand, Nicaragua, Niger, Nigeria, Norway, Oman, Palau, Panama, Papua New Guinea, Paraguay, the People's Republic of China, Peru, the Philippines, Poland, Portugal, Qatar, the Republic of Moldova, Romania, Russia, Rwanda, Samoa, San Marino, Sao Tome &amp; Principe, Saudi Arabia, Senegal, Serbia and Montenegro, the Seychelles, Sierra Leone, Singapore, Slovakia, Slovenia, the Solomon Islands, Somalia, South Africa, South Korea, Spain, Sri Lanka, St. Kitts &amp; Nevis, St. Lucia, St. Vincent &amp; Grenada, Suriname, Swaziland, Sweden, Switzerland, Taiwan, Tajikistan, Tanzania, Thailand, Togo, Tonga, Trinidad &amp; Tobago, Tunisia, Turkey, Turkmenistan, Tuvalu, Uganda, Ukraine, the United Arab Emirates, the United Kingdom, Uruguay, Uzbekistan, Vanuatu, Venezuela, Vietnam, Yemen, Zaire, Zambia, and Zimbabwe</li> </ul>	459263-002
<ul style="list-style-type: none"> <li>For use in Japan</li> </ul>	459263-291
Intel 802.11b/g WLAN module for use in Thailand	451861-004

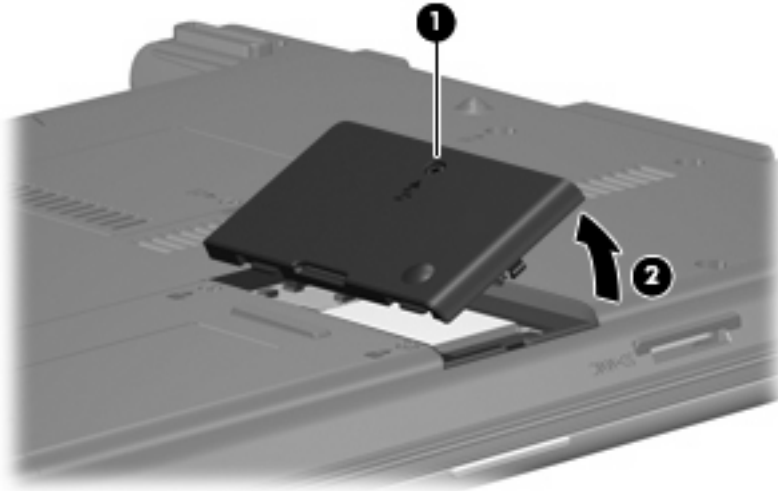
Before removing the WLAN module, follow these steps:

1. Shut down the computer. If you are unsure whether the computer is off or in Hibernation, turn the computer on, and then shut it down through the operating system.
2. Disconnect all external devices connected to the computer.
3. Disconnect the power from the computer by first unplugging the power cord from the AC outlet and then unplugging the AC adapter from the computer.
4. Remove the battery (see [Battery on page 39](#)).


Remove the WLAN module:

1. Position the computer with the front toward you.
2. Loosen the Phillips PM2.0×5.0 captive screw **(1)** that secures the WLAN module compartment cover to the computer.


3. Lift the right side of the WLAN module compartment cover (2), swing it to left, and remove the cover. The WLAN module compartment cover is included in the Plastics Kit, spare part number 456614-001.

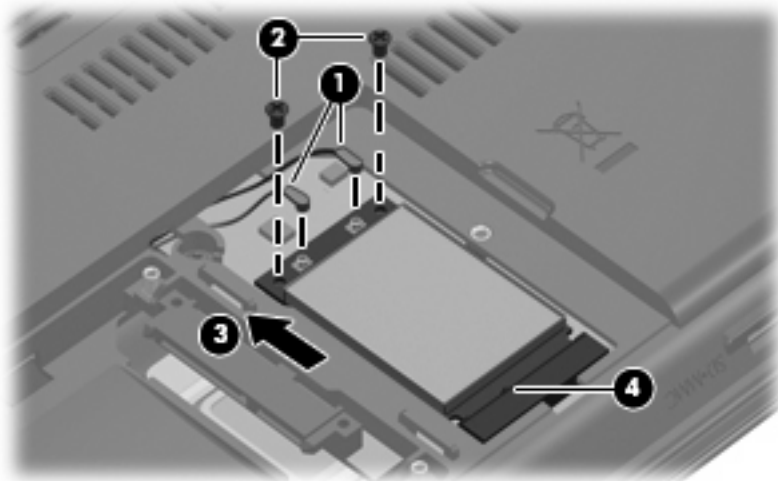


4. Disconnect the WLAN antenna cables (1) from the terminals on the WLAN module.

 **NOTE:** The black WLAN antenna cable is connected to the WLAN module “Main” terminal. The white WLAN antenna cable is connected to the WLAN module “Aux” terminal.

5. Remove the two Phillips PM2.5×4.0 screws (2) that secure the WLAN module to the computer. (The edge of the module opposite the slot rises away from the computer.)
6. Remove the WLAN module (3) by pulling the module away from the slot at an angle.

 **NOTE:** WLAN modules are designed with a notch (4) to prevent incorrect insertion.



Reverse this procedure to install the WLAN module.

## Memory module

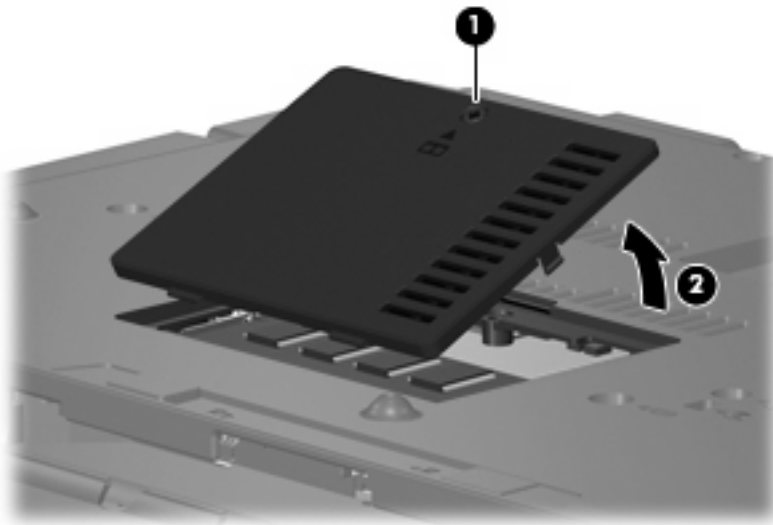
Description	Spare part number
2-GB (PC2-5300, 667-MHz, DDR2)	500759-001
1-GB (PC2-5300, 667-MHz, DDR2)	500758-001
512-MB (PC2-5300, 667-MHz, DDR2)	500760-001

Before removing the memory module, follow these steps:

1. Shut down the computer. If you are unsure whether the computer is off or in Hibernation, turn the computer on, and then shut it down through the operating system.
2. Disconnect all external devices connected to the computer.
3. Disconnect the power from the computer by first unplugging the power cord from the AC outlet and then unplugging the AC adapter from the computer.
4. Remove the battery (see [Battery on page 39](#)).


Remove the memory module:

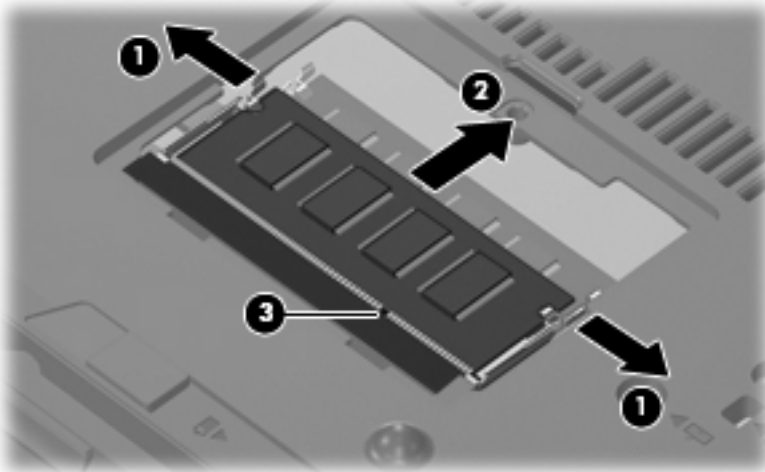
1. Loosen the Phillips PM2.0×5.0 captive screw (1) that secures the memory module compartment cover to the computer.
2. Lift the front edge of the cover (2), swing it up and back, and remove the cover. The memory module compartment cover is included in the Plastics Kit, spare part number 456614-001.



3. Spread the retaining tabs (1) on each side of the memory module slot to release the memory module. (The edge of the module opposite the slot rises away from the computer.)


4. Remove the memory module (2) by pulling the module away from the slot at an angle.

 **NOTE:** Memory modules are designed with a notch (3) to prevent incorrect insertion into the memory module slot.



Reverse this procedure to install a memory module.

## Optical drive

 **NOTE:** All optical drive spare part kits include an optical drive bezel.

Description	Spare part number
Supports the following PATA optical drives:	
DVD±RW and CD-RW SuperMulti Double-Layer Combo Drive with LightScribe	500768-001
DVD/CD-RW Combo Drive	500767-001
DVD-ROM Drive	500766-001
Optical drive connector board (PATA)	456805-001
Supports the following SATA optical drives:	
DVD±RW and CD-RW SuperMulti Double-Layer Combo Drive with LightScribe	507116-001
DVD/CD-RW Combo Drive	507117-001
DVD-ROM Drive	507115-001
Optical drive connector board (SATA)	495386-001

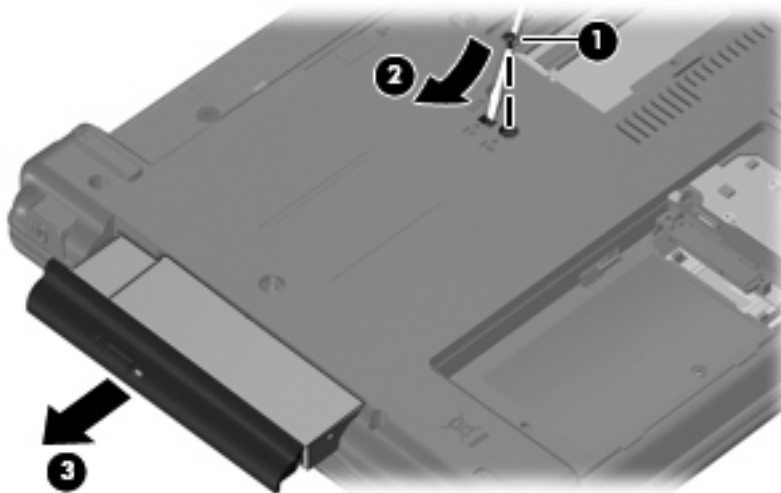
Before removing the optical drive, follow these steps:

1. Shut down the computer. If you are unsure whether the computer is off or in Hibernation, turn the computer on, and then shut it down through the operating system.
2. Disconnect all external devices connected to the computer.

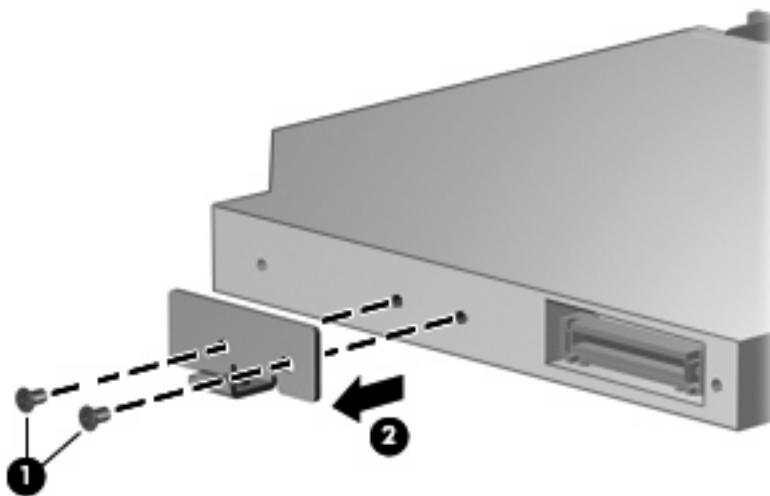
3. Disconnect the power from the computer by first unplugging the power cord from the AC outlet and then unplugging the AC adapter from the computer.
4. Remove the battery (see [Battery on page 39](#)).

Remove the optical drive:

1. Position the computer with the right side toward you.
2. Remove the slotted Torx ST8M2.5×7.0 screw (1) that secures the optical drive to the computer.
3. Insert a flat-bladed screwdriver or similar tool into the optical drive tab access (2) and press the tab to the left to release the optical drive from the computer.
4. Remove the optical drive (3) from the computer.



5. If it is necessary to replace the optical drive bracket, position the optical drive with the rear toward you.
6. Remove the two Phillips PM2.0×4.0 screws (1) that secure the optical drive bracket to the optical drive.
7. Remove the optical drive bracket (2).



Reverse this procedure to reassemble and install an optical drive.

## Switch cover

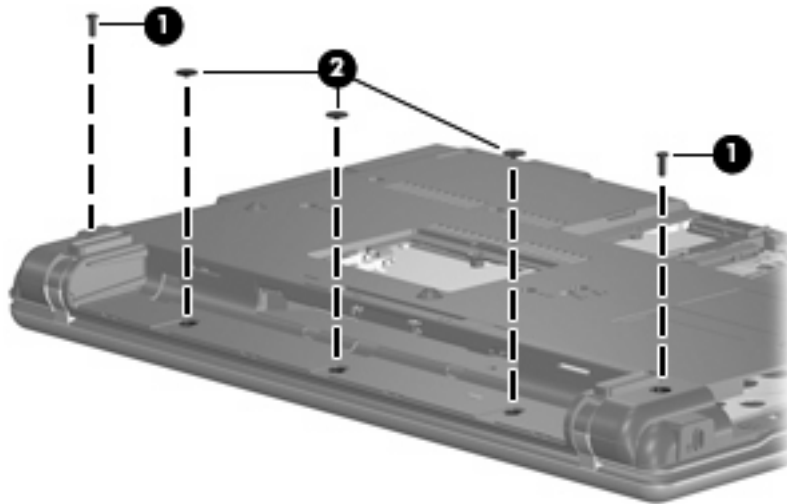
Description	Spare part number
Switch cover (includes button board and cable)	495388-001

Before removing the switch cover, follow these steps:

1. Shut down the computer. If you are unsure whether the computer is off or in Hibernation, turn the computer on, and then shut it down through the operating system.
2. Disconnect all external devices connected to the computer.
3. Disconnect the power from the computer by first unplugging the power cord from the AC outlet and then unplugging the AC adapter from the computer.
4. Remove the battery (see [Battery on page 39](#)).

Remove the switch cover:

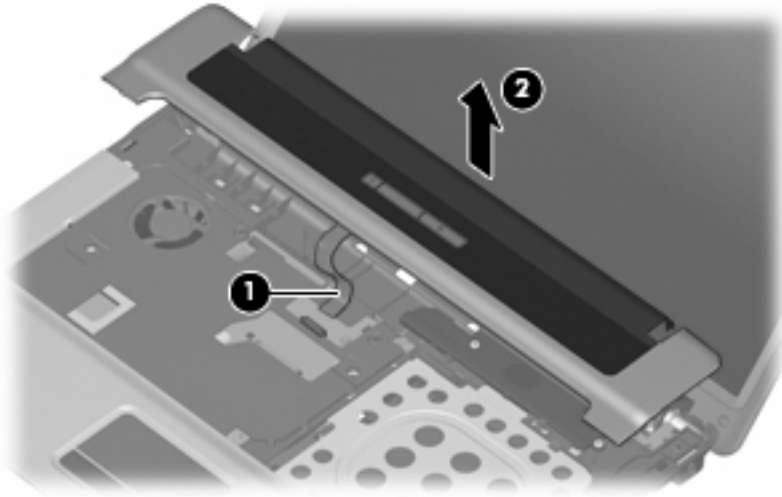
1. Turn the computer upside down, with the rear panel toward you.
2. Remove the two slotted Torx T8M2.5×9.0 screws (1) and the three Torx T8M2.5×3.0 broadhead screws (2) that secure the switch cover to the computer.



3. Turn the computer right-side up, with the front toward you.
4. Open the computer as far as possible.
5. Release the ZIF connector to which the button board cable (1) is attached, and disconnect the cable from the system board.



6. Remove the switch cover (2) by lifting it straight up.



Reverse this procedure to install the switch cover.

## Keyboard

For use in:	Spare part number	For use in:	Spare part number
Belgium	495400-181	Norway	495400-091
Brazil	495400-201	Portugal	495400-131
The Czech Republic	495400-221	Russia	495400-251
Denmark	495400-081	Saudi Arabia	495400-171
France	495400-051	Slovakia	495400-231
French Canada	495400-121	Slovenia	495400-BA1
Germany	495400-041	South Korea	495400-AD1
Greece	495400-DJ1	Spain	495400-071
Hungary	495400-211	Sweden and Finland	495400-B71
Iceland	495400-DD1	Switzerland	495400-BG1
Israel	495400-BB1	Taiwan	495400-AB1
Italy	495400-061	Thailand	495400-281
Japan	495400-291	Turkey	495400-141
Latin America	495400-161	The United Kingdom	495400-031
The Netherlands and Europe	495400-B31	The United States	495400-001

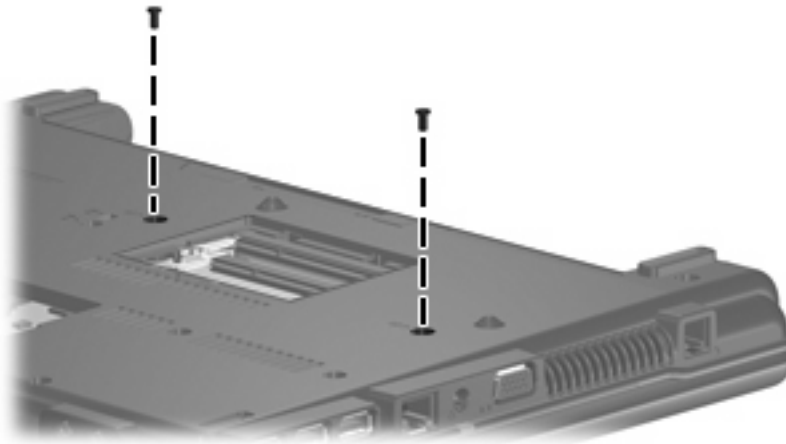
Before removing the keyboard, follow these steps:

1. Shut down the computer. If you are unsure whether the computer is off or in Hibernation, turn the computer on, and then shut it down through the operating system.
2. Disconnect all external devices connected to the computer.
3. Disconnect the power from the computer by first unplugging the power cord from the AC outlet and then unplugging the AC adapter from the computer.
4. Remove the battery (see [Battery on page 39](#)).
5. Remove the switch cover (see [Switch cover on page 48](#)).

Remove the keyboard:

1. Position the computer with the front toward you.

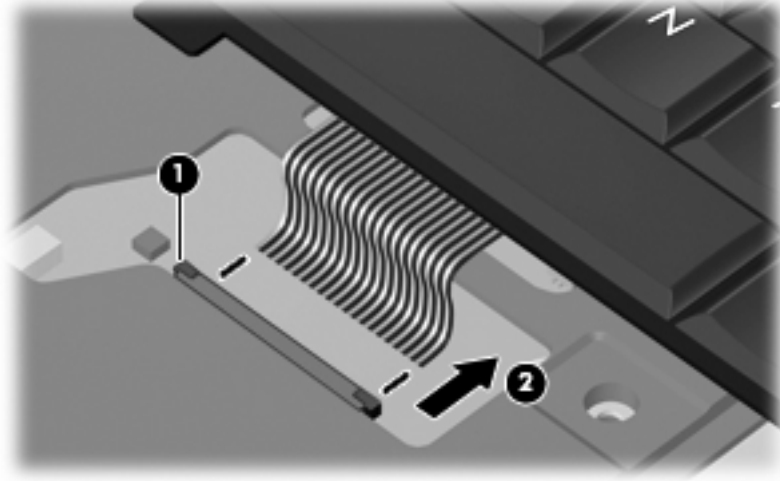
2. Remove the two slotted Torx ST8M2.5×7.0 screws that secure the keyboard to the computer.



3. Turn the computer display-side up, with the front toward you.
4. Open the computer as far as possible.
5. Lift the rear edge of the keyboard (1) and slide it back until it rests on the display assembly (2).



6. Release the zero insertion force (ZIF) connector (1) to which the keyboard cable is attached, and disconnect the keyboard cable (2) from the system board.



7. Remove the keyboard.

Reverse this procedure to install the keyboard.

## Speaker

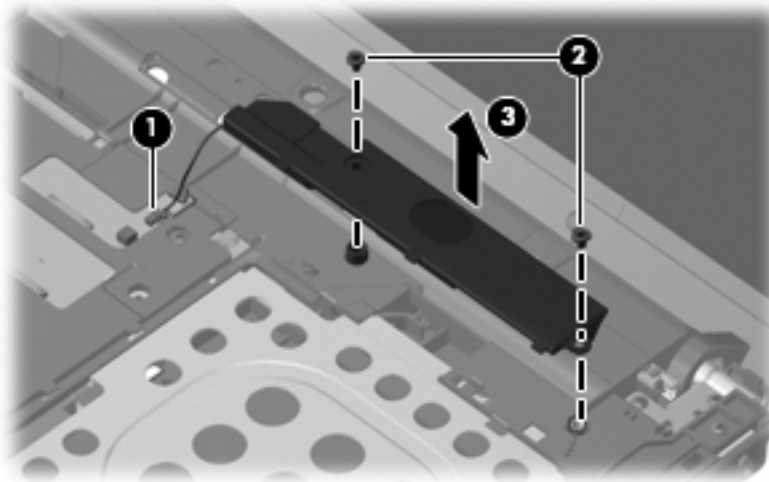
Description	Spare part number
Speaker	456593-001

Before removing the speaker, follow these steps:

1. Shut down the computer. If you are unsure whether the computer is off or in Hibernation, turn the computer on, and then shut it down through the operating system.
2. Disconnect all external devices connected to the computer.
3. Disconnect the power from the computer by first unplugging the power cord from the AC outlet and then unplugging the AC adapter from the computer.
4. Remove the battery (see [Battery on page 39](#)).
5. Remove the keyboard (see [Keyboard on page 50](#)).
6. Remove the switch cover (see [Switch cover on page 48](#)).


Remove the speaker:

1. Disconnect the speaker cable (1) from the system board.
2. Remove the two Torx T8M2.5×4.0 screws (2) that secure the speaker to the top cover.
3. Remove the speaker (3) from the top cover.



Reverse this procedure to install the speaker.

## Display lid switch module

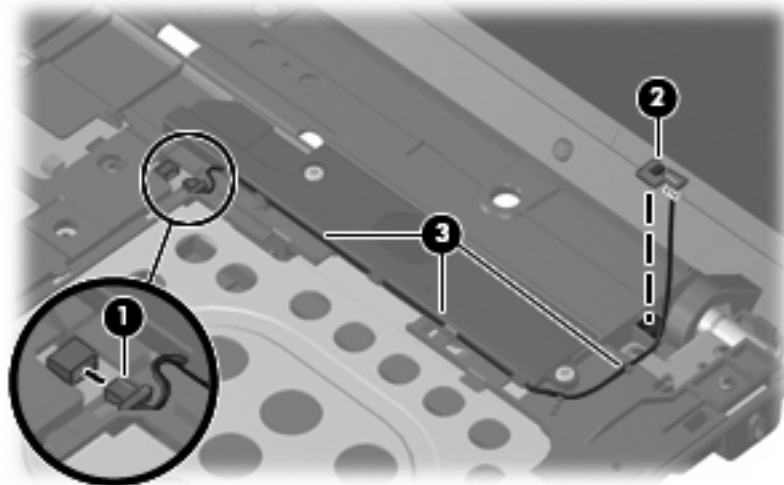
 **NOTE:** The display lid switch module is included in the Cable Kit, spare part number Cable Kit, spare part number 456594-001.

Before removing the display lid switch module, follow these steps:

1. Shut down the computer. If you are unsure whether the computer is off or in Hibernation, turn the computer on, and then shut it down through the operating system.
2. Disconnect all external devices connected to the computer.
3. Disconnect the power from the computer by first unplugging the power cord from the AC outlet and then unplugging the AC adapter from the computer.
4. Remove the battery (see [Battery on page 39](#)).
5. Remove the keyboard (see [Keyboard on page 50](#)).
6. Remove the switch cover (see [Switch cover on page 48](#)).


Remove the display lid switch module:

1. Disconnect the display lid switch module cable (1) from the system board.
2. Remove the display lid switch module (2) from the clip built into the top cover.
3. Remove the display lid switch module cable from the clips (3) built into the top cover.



Reverse this procedure to install the display lid switch module.

## Display assembly

 **NOTE:** All display assembly spare part kits include 2 WLAN antenna transceivers and cables.

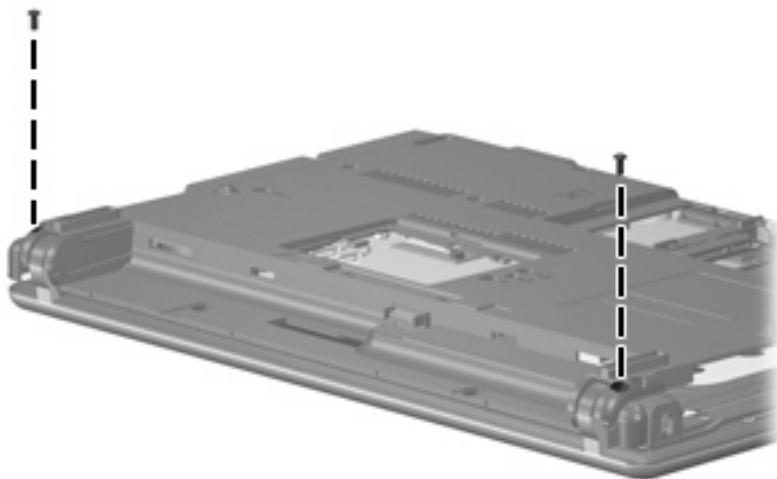
Description	Spare part number
15.4-inch, WXGA with BrightView	495385-001
Display Cable Kit (includes 2 wireless antennae)	508816-001

Before removing the display assembly, follow these steps:

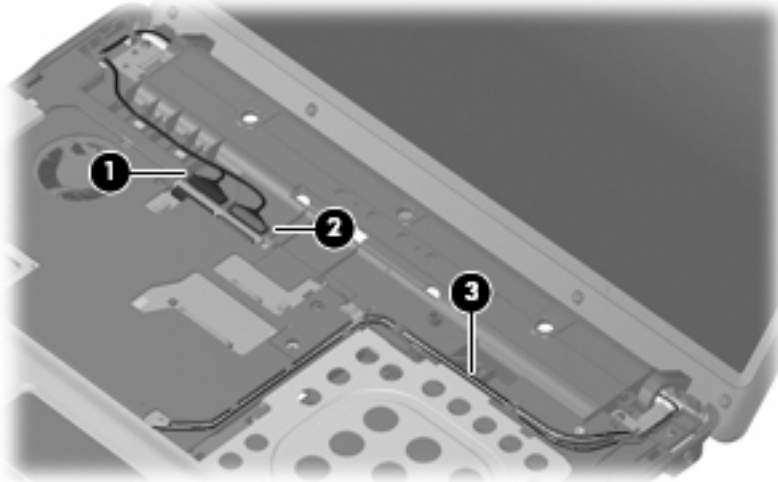
1. Shut down the computer. If you are unsure whether the computer is off or in Hibernation, turn the computer on, and then shut it down through the operating system.
2. Disconnect all external devices connected to the computer.
3. Disconnect the power from the computer by first unplugging the power cord from the AC outlet and then unplugging the AC adapter from the computer.
4. Remove the battery (see [Battery on page 39](#)).
5. Disconnect the wireless antenna cables from the WLAN module (see [WLAN module on page 42](#)).
6. Remove the following components:
  - a. Keyboard (see [Switch cover on page 48](#))
  - b. Switch cover (see [Switch cover on page 48](#))
  - c. Speaker (see [Speaker on page 53](#))
  - d. Display lid switch module (see [Display lid switch module on page 54](#))

Remove the display assembly:

1. Close the computer and turn it upside down, with the rear panel toward you.
2. Remove the two slotted Torx ST8M2.5×7.0 screws that secure the display assembly to the computer.



3. Turn the computer right-side up, with the front toward you.
4. Open the computer as far as possible.
5. Disconnect the display panel cables (1) and (2) from the system board.
6. Remove the wireless antenna cables (3) from the clips and routing channels built into the top cover.

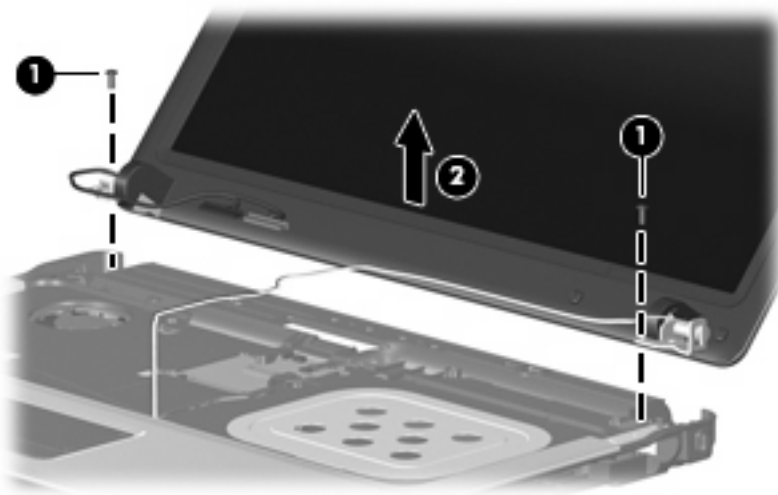


7. Remove the four slotted Torx ST8M2.5×7.0 screws (1) that secure the display assembly to the computer.  

---

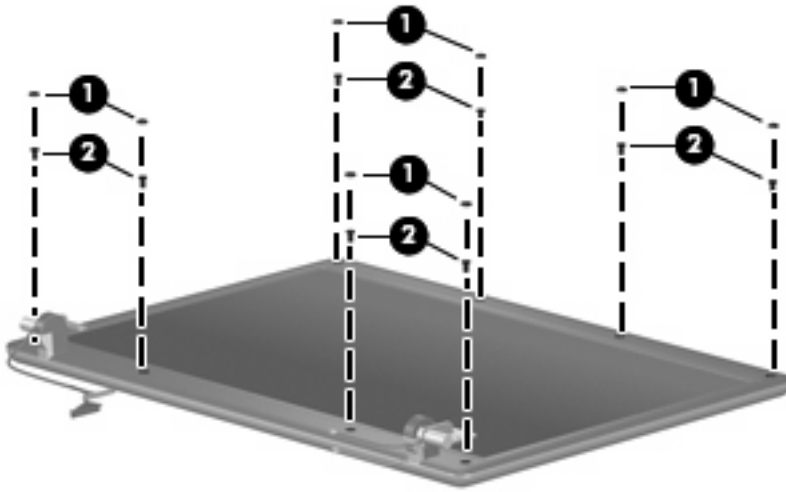
△ **CAUTION:** Support the display assembly when removing the following screws. Failure to support the display assembly can result in damage to the display assembly and other computer components.

---
8. Lift the display assembly (2) straight up and remove it.

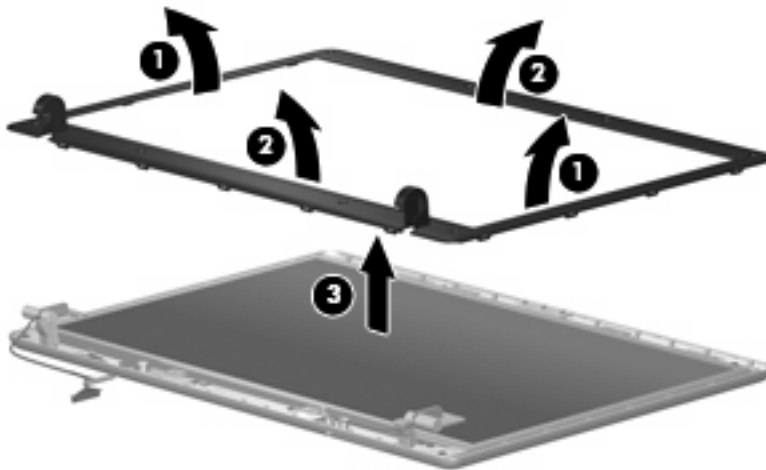




9. If it is necessary to replace the display bezel, display inverter, or display hinges, remove the eight rubber screw covers (1) and the eight Torx T8M2.5×6.0 screws (2) that secure the display bezel to the display assembly. The rubber screw covers are available in the Rubber Kit, spare part number 500132-001.

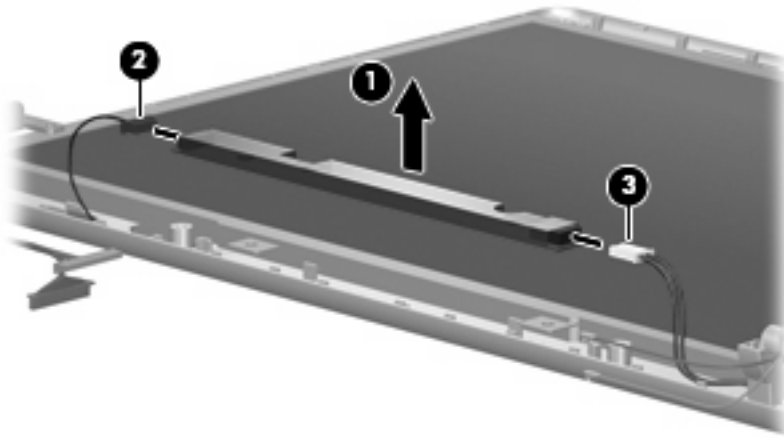


10. Flex the inside edges of the left and right sides (1) and the top and bottom sides (2) of the display bezel until the bezel disengages from the display enclosure.
11. Remove the display bezel (3). The display bezel is available using spare part number 495402-001.

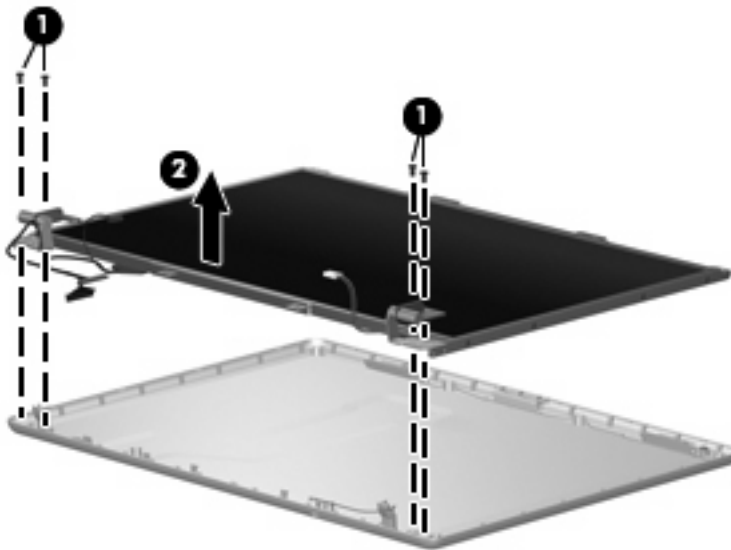


12. If it is necessary to replace the display inverter, remove the inverter (1) from the display enclosure as far as the display panel cable and the backlight cable will allow.

13. Disconnect the display panel cable (2) and the backlight cable (3) from the display inverter.

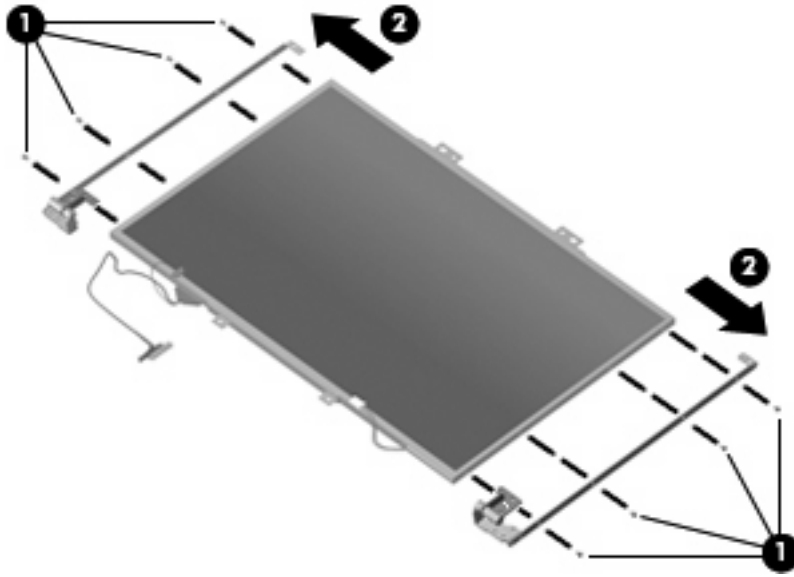


14. Remove the display inverter. The display inverter is available using spare part number 456618-001.
15. If it is necessary to replace the display hinges, remove the four Torx T8M2.5×6.0 screws (1) that secure the display panel to the display enclosure.
16. Remove the display panel (2).




17. Remove the four Phillips PM2.0×4.0 screws (1) that secure each display hinge to the display panel.

18. Remove the display hinges (2). The left and right display hinges are available using spare part number 456806-001.



Reverse this procedure to reassemble and install the display assembly.

## Top cover

 **NOTE:** The top cover includes the TouchPad board and cable, and the TouchPad button board and cable.

Description	Spare part number
Top cover	495399-001

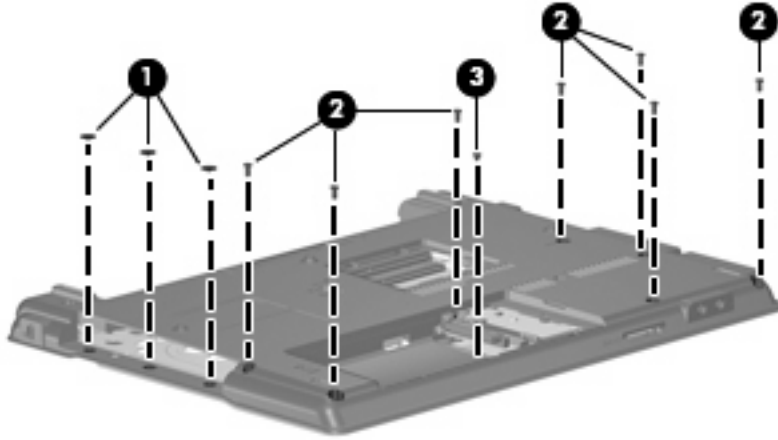
Before removing the top cover, follow these steps:

1. Shut down the computer. If you are unsure whether the computer is off or in Hibernation, turn the computer on, and then shut it down through the operating system.
2. Disconnect all external devices connected to the computer.
3. Disconnect the power from the computer by first unplugging the power cord from the AC outlet and then unplugging the AC adapter from the computer.
4. Remove the battery (see [Battery on page 39](#)).
5. Remove the following components:
  - a. Hard drive (see [Hard drive on page 40](#))
  - b. Optical drive (see [Optical drive on page 46](#))
  - c. Keyboard (see [Keyboard on page 50](#))
  - d. Switch cover (see [Switch cover on page 48](#))
  - e. Speaker (see [Speaker on page 53](#))
  - f. Display lid switch module (see [Display lid switch module on page 54](#))
  - g. Display assembly (see [Display assembly on page 55](#))

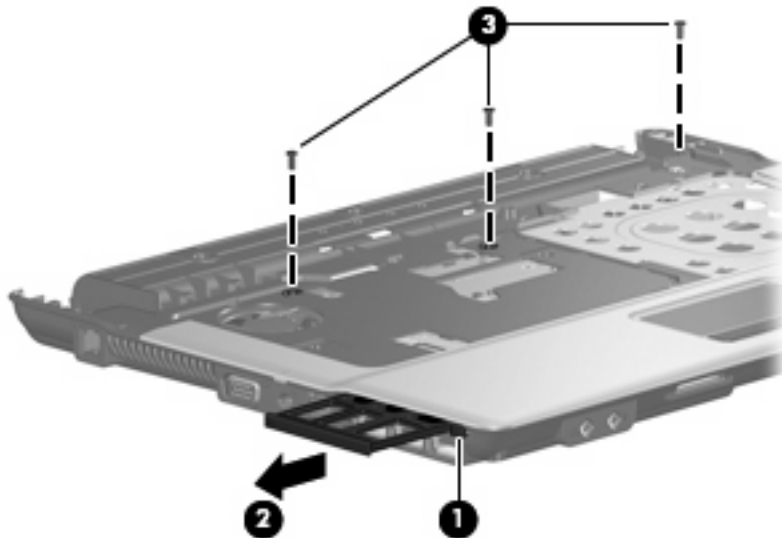
Remove the top cover:

1. Turn the computer upside down, with the front toward you.

2. Remove the following screws:
  - (1) Three Phillips PM2.0×2.0 broadhead screws
  - (2) Seven slotted Torx ST8M2.5×7.0 screws
  - (3) One Torx T8m2.5×4.0 screw

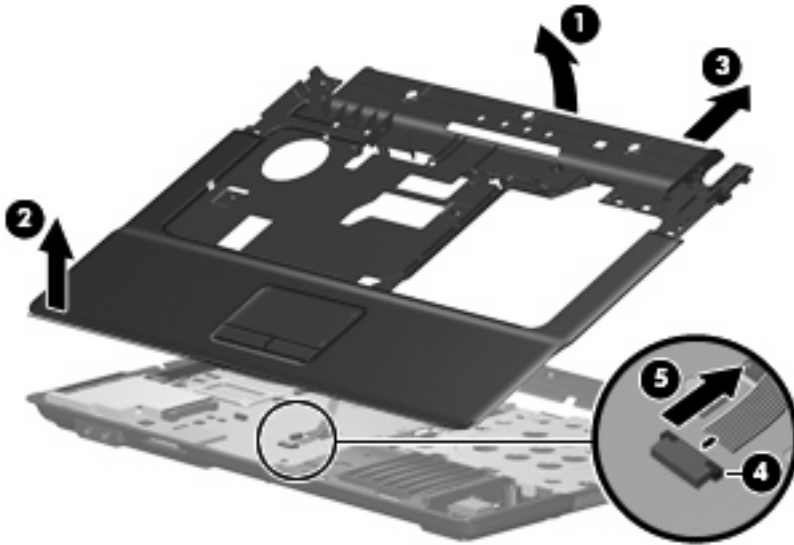


3. Turn the computer right-side up, with the left side toward you.
4. Press in on the ExpressCard slot eject button (1) two times. The first press releases the ExpressCard slot eject button. The second press releases the ExpressCard slot protective insert, if one is present, from the ExpressCard slot.
5. Remove the ExpressCard slot insert(2).
6. Remove the three slotted Torx ST8M2.5×7.0 screws (3) that secure the top cover to the computer.



7. Lift the rear edge of the top cover (1) and swing it up and forward until it rests at an angle.
8. Lift the front edge of the top cover (2) until it disengages from the base enclosure.
9. Tilt the top cover (3) back until the TouchPad cable is accessible.


10. Release the ZIF connector (4) to which the TouchPad cable is connected and disconnect the TouchPad cable (5) from the system board.



11. Remove the top cover.

Reverse this procedure to install the top cover.

## TouchPad board and TouchPad button board

 **NOTE:** The top cover, spare part number 495399-001, includes the TouchPad board and cable, and the TouchPad button board and cable.

---

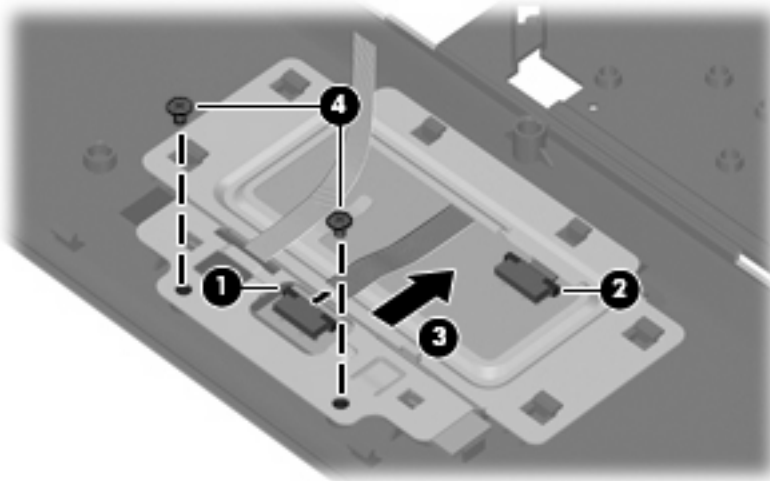
Before removing the TouchPad board and TouchPad button board, follow these steps:

1. Shut down the computer. If you are unsure whether the computer is off or in Hibernation, turn the computer on, and then shut it down through the operating system.
2. Disconnect all external devices connected to the computer.
3. Disconnect the power from the computer by first unplugging the power cord from the AC outlet and then unplugging the AC adapter from the computer.
4. Remove the battery (see [Battery on page 39](#)).
5. Remove the following components:
  - a. Hard drive (see [Hard drive on page 40](#))
  - b. Optical drive (see [Optical drive on page 46](#))
  - c. Keyboard (see [Keyboard on page 50](#))
  - d. Switch cover (see [Switch cover on page 48](#))
  - e. Speaker (see [Speaker on page 53](#))
  - f. Display lid switch module (see [Display lid switch module on page 54](#))
  - g. Display assembly (see [Display assembly on page 55](#))
  - h. Top cover (see [Top cover on page 60](#))

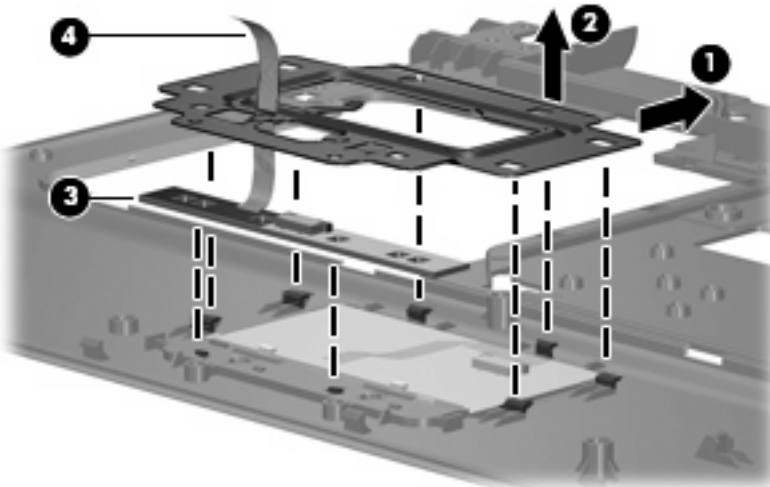
Remove the TouchPad board and TouchPad button board:

1. Turn the top cover upside down, with the front toward you.
2. Release the ZIF connectors on the TouchPad button board **(1)** and TouchPad board **(2)** to which the TouchPad board cable is connected.
3. Disconnect and remove the TouchPad board cable **(3)**.

4. Remove the two Phillips PM2.0×4.0 screws (4) that secure the TouchPad bracket to the computer.




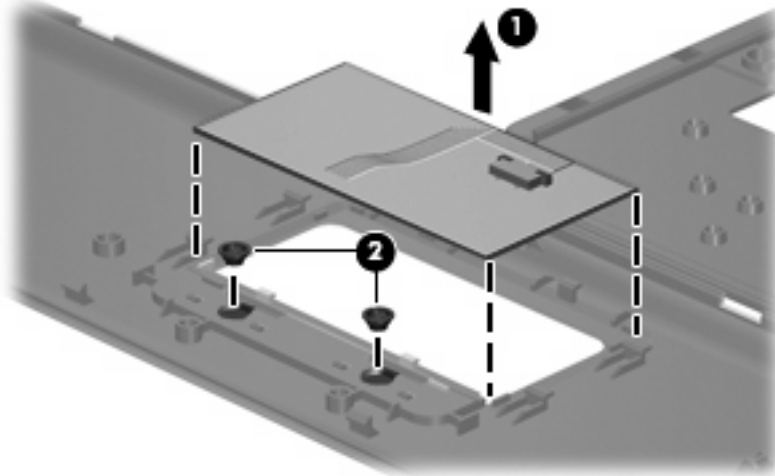
5. Release the TouchPad bracket (1) by sliding it back.
6. Remove the TouchPad bracket (2) by lifting it straight up.
7. Remove the TouchPad button board (3).
8. Remove the TouchPad button board cable (4) from the opening in the TouchPad bracket.






9. Remove the TouchPad board (1) from the top cover.

 **NOTE:** When replacing the TouchPad board and TouchPad button board, be sure the TouchPad button actuators (2) are installed in the top cover.



Reverse this procedure to install the TouchPad board and TouchPad button board.

## Bluetooth module

 **NOTE:** The Bluetooth module spare part kits do not include a Bluetooth module cable. The Bluetooth module cable is included in the Cable Kit, spare part number 456594-001.

Description	Spare part number
For use in all countries and regions except Japan and Asia Pacific countries and regions	398393-001

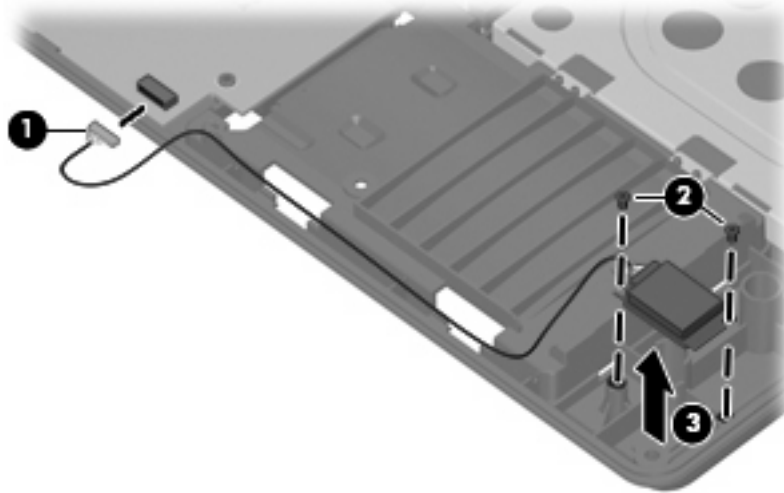
Before removing the Bluetooth module, follow these steps:

1. Shut down the computer. If you are unsure whether the computer is off or in Hibernation, turn the computer on, and then shut it down through the operating system.
2. Disconnect all external devices connected to the computer.
3. Disconnect the power from the computer by first unplugging the power cord from the AC outlet and then unplugging the AC adapter from the computer.
4. Remove the battery (see [Battery on page 39](#)).
5. Remove the following components:
  - a. Hard drive (see [Hard drive on page 40](#))
  - b. Optical drive (see [Optical drive on page 46](#))
  - c. Keyboard (see [Keyboard on page 50](#))
  - d. Switch cover (see [Switch cover on page 48](#))
  - e. Speaker (see [Speaker on page 53](#))

- f. Display lid switch module (see [Display lid switch module on page 54](#))
- g. Display assembly (see [Display assembly on page 55](#))
- h. Top cover (see [Top cover on page 60](#))

Remove the Bluetooth module:

1. Disconnect the Bluetooth module cable (1) from the system board.
2. Remove the two Phillips PM2.0×4.0 screws (2) that secure the Bluetooth module to the base enclosure.
3. Remove the Bluetooth module (3) from the base enclosure.



Reverse this procedure to install the Bluetooth module.

## System board

**NOTE:** All system board spare part kits include the ExpressCard assembly.

**NOTE:** All system board spare part kits include replacement thermal material. Replacement thermal material is also available in the heat sink spare part kit, spare part number 456605-001.

Description	Spare part number
For use only with computer models equipped with Intel GME965 graphics chipset, Intel UMA graphics subsystem, and PATA optical drive	495410-001
For use only with computer models equipped with Intel GLE960 graphics chipset, Intel UMA graphics subsystem, and PATA optical drive	495395-001
For use only with computer models equipped with Intel GME965 graphics chipset, Intel UMA graphics subsystem, and SATA optical drive	495404-001
For use only with computer models equipped with Intel GLE960 graphics chipset, Intel UMA graphics subsystem, and SATA optical drive	495397-001

Before removing the system board, follow these steps:

1. Shut down the computer. If you are unsure whether the computer is off or in Hibernation, turn the computer on, and then shut it down through the operating system.
2. Disconnect all external devices connected to the computer.
3. Disconnect the power from the computer by first unplugging the power cord from the AC outlet and then unplugging the AC adapter from the computer.
4. Remove the battery (see [Battery on page 39](#)).
5. Remove the following components:
  - a. Hard drive (see [Hard drive on page 40](#))
  - b. Optical drive (see [Optical drive on page 46](#))
  - c. Keyboard (see [Keyboard on page 50](#))
  - d. Switch cover (see [Switch cover on page 48](#))
  - e. Speaker (see [Speaker on page 53](#))
  - f. Display lid switch module (see [Display lid switch module on page 54](#))
  - g. Display assembly (see [Display assembly on page 55](#))
  - h. Top cover (see [Top cover on page 60](#))

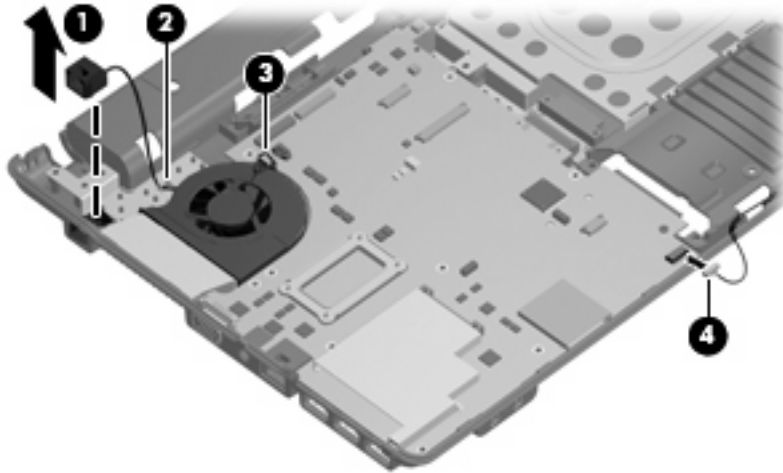
When replacing the system board, be sure that the following components are removed from the defective system board and installed on the replacement system board:

- Memory module (see [Memory module on page 45](#))
- WLAN module (see [WLAN module on page 42](#))
- Processor (see [Processor on page 74](#))
- ExpressCard assembly (see [ExpressCard assembly on page 79](#))

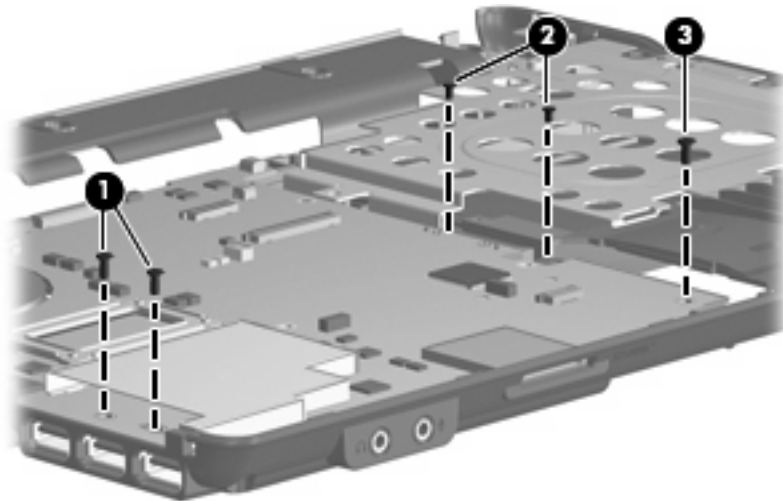
Remove the system board:

1. Remove the RJ-11 jack **(1)** from the clip built into the base enclosure and remove the RJ-11 jack cable from the hook **(2)** built into the base enclosure.

2. Disconnect the fan cable (3) and the Bluetooth module cable (4) from the system board.

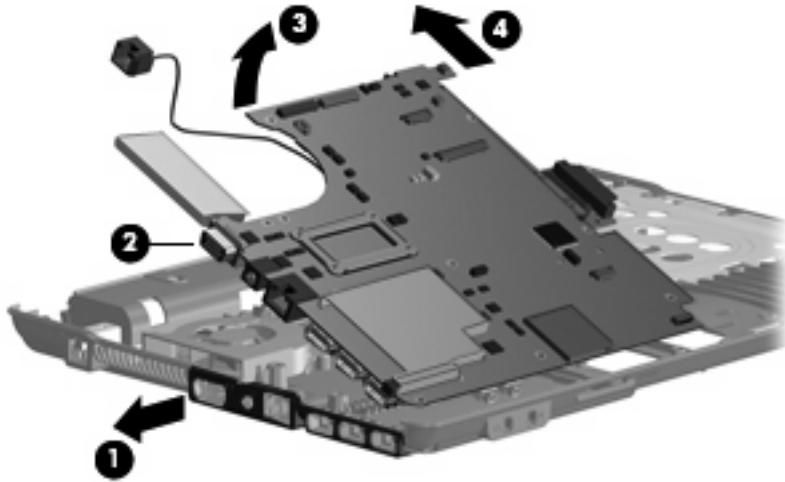


3. Remove the following screws:
  - (1) Two Phillips PM2.0×6.0 screws
  - (2) Two Torx T8M2.0×4.0 screws
  - (3) One Torx T8M2.5×4.0 screw

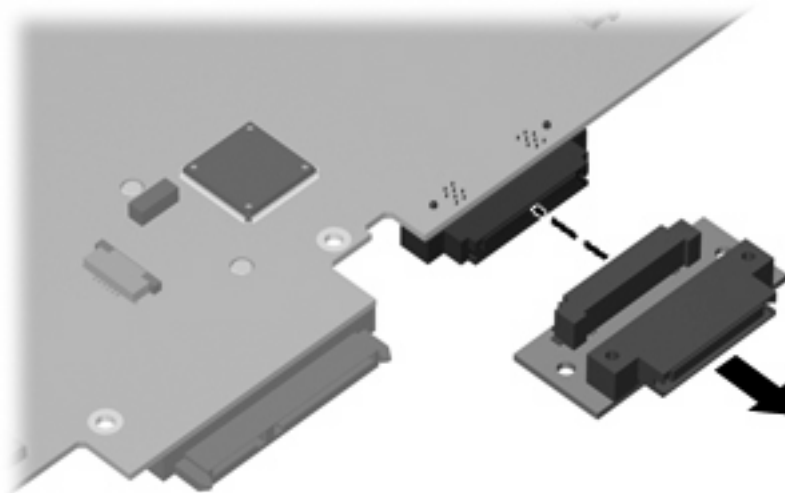


4. Flex the left side of the base enclosure (1) until the external monitor connector (2) is clear of the opening in the base enclosure.
5. Lift the rear edge of the system board (3) until it rests at an angle.

6. Remove the system board (4) from the base enclosure by sliding it back.



7. If it is necessary to replace the optical drive connector board, remove it from the connector on the system board. The optical drive connector board is available using spare part numbers 456805-001 (PATA) or 495386-001 (SATA).



Reverse the preceding procedure to install the system board.

# Fan

Description	Spare part number
Fan	431312-001

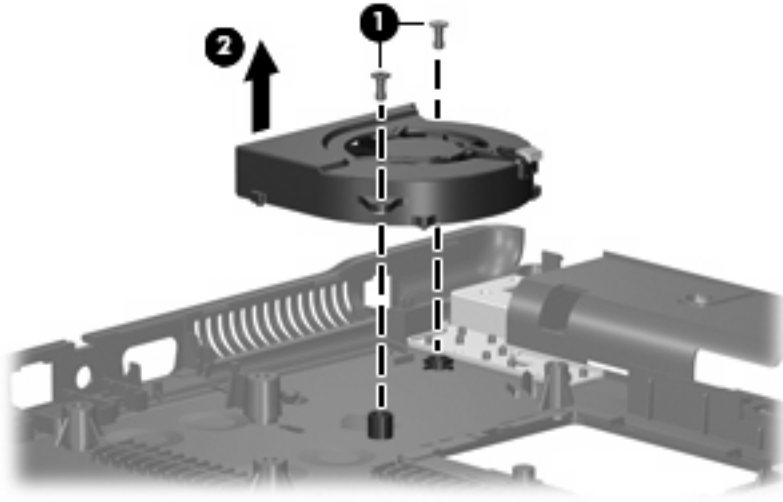
Before removing the fan, follow these steps:

1. Shut down the computer. If you are unsure whether the computer is off or in Hibernation, turn the computer on, and then shut it down through the operating system.
2. Disconnect all external devices connected to the computer.
3. Disconnect the power from the computer by first unplugging the power cord from the AC outlet and then unplugging the AC adapter from the computer.
4. Remove the battery (see [Battery on page 39](#)).
5. Remove the following components:
  - a. Hard drive (see [Hard drive on page 40](#))
  - b. Optical drive (see [Optical drive on page 46](#))
  - c. Keyboard (see [Keyboard on page 50](#))
  - d. Switch cover (see [Switch cover on page 48](#))
  - e. Speaker (see [Speaker on page 53](#))
  - f. Display lid switch module (see [Display lid switch module on page 54](#))
  - g. Display assembly (see [Display assembly on page 55](#))
  - h. Top cover (see [Top cover on page 60](#))
  - i. System board (see [System board on page 66](#))


Remove the fan:

1. Remove the two Phillips PM2.5×7.0 screw s(1) that secures the fan to the base enclosure.

2. Remove the fan (2) from the base enclosure.




Reverse this procedure to install the fan.

 **NOTE:** To properly ventilate the computer, allow at least a 7.6-cm (3-inch) clearance on the left side of the computer.

The computer uses an electric fan for ventilation. The fan is controlled by a temperature sensor and is designed to turn on automatically when high temperature conditions exist. These conditions are affected by high external temperatures, system power consumption, power management/battery conservation configurations, battery fast charging, and software requirements. Exhaust air is displaced through the ventilation grill located on the left side of the computer.

## Heat sink

 **NOTE:** The heat sink spare part kit includes replacement thermal material.

Description	Spare part number
Heat sink (includes replacement thermal material)	456605-001

Before removing the heat sink, follow these steps:

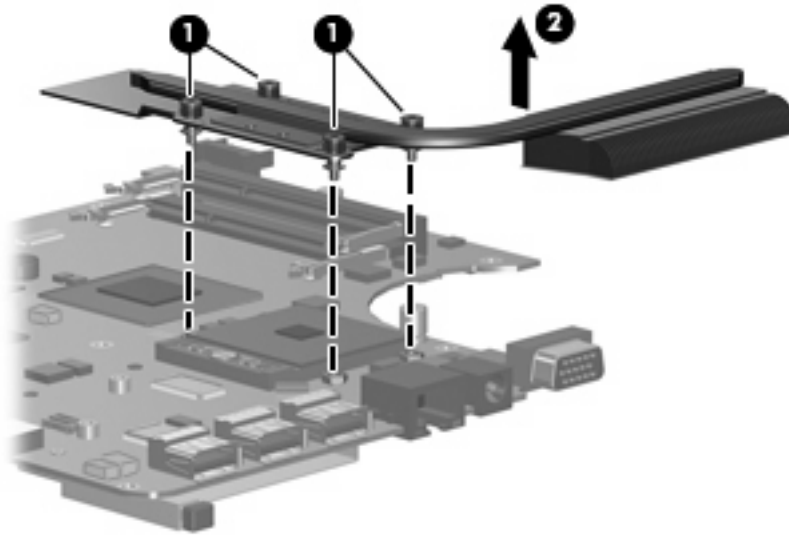
1. Shut down the computer. If you are unsure whether the computer is off or in Hibernation, turn the computer on, and then shut it down through the operating system.
2. Disconnect all external devices connected to the computer.
3. Disconnect the power from the computer by first unplugging the power cord from the AC outlet and then unplugging the AC adapter from the computer.
4. Remove the battery (see [Battery on page 39](#)).
5. Remove the following components:
  - a. Hard drive (see [Hard drive on page 40](#))
  - b. Optical drive (see [Optical drive on page 46](#))
  - c. Keyboard (see [Keyboard on page 50](#))
  - d. Switch cover (see [Switch cover on page 48](#))
  - e. Speaker (see [Speaker on page 53](#))
  - f. Display lid switch module (see [Display lid switch module on page 54](#))
  - g. Display assembly (see [Display assembly on page 55](#))
  - h. Top cover (see [Top cover on page 60](#))
  - i. System board (see [System board on page 66](#))


Remove the heat sink:

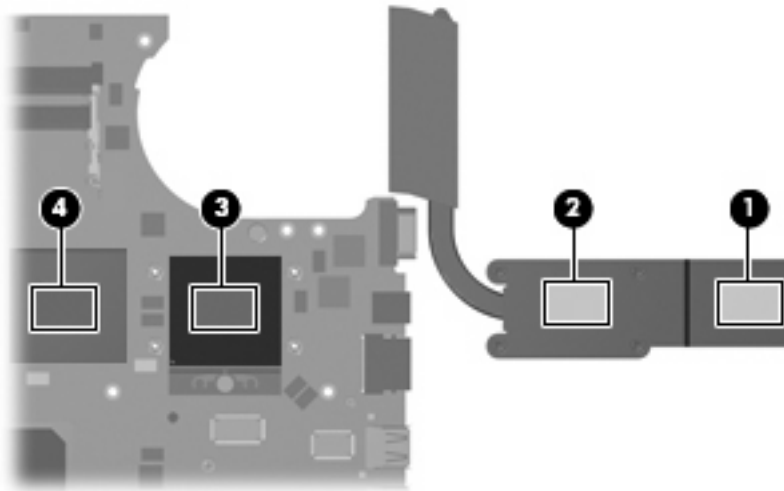
1. Turn the system board upside down, with the USB connectors toward you.
2. Following the 1, 2, 3, 4 sequence stamped into the heat sink, loosen the four Phillips PM2.5×10.0 screws **(1)** that secure the heat sink to the system board.



3. Remove the heat sink (2).




 **NOTE:** The thermal material must be thoroughly cleaned from the surfaces of the heat sink (1) and (2), the processor (3), and graphics system component (4) each time the heat sink is removed. Thermal pads and thermal paste must be installed on all surfaces before the heat sink assembly is reinstalled. Thermal material is included with all heat sink and processor spare part kits.



Reverse this procedure to install the heat sink.

## Processor

 **NOTE:** All processor spare part kits include replacement thermal material. Replacement thermal material is also available in the heat sink spare part kit, spare part number 456605-001.


Description	Spare part number
Intel Core2 Duo processors:	
• T5670 1.80-GHz (2-MB L2 cache, 800-MHz FSB)	508758-001
• T5470 1.60-GHz (2-MB L2 cache, 800-MHz FSB)	500757-001
• T5270 1.40-GHz (2-MB L2 cache, 800-MHz FSB)	495383-001
Intel Celeron M processors:	
• P550 2.0-GHz (1-MB L2 cache, 533-MHz FSB)	508759-001
• P530 1.73-GHz (1-MB L2 cache, 533-MHz FSB)	500756-001
Intel Celeron M Dual Core processors:	
• T1400 1.73-GHz (1-MB L2 cache, 533-MHz FSB)	506446-001

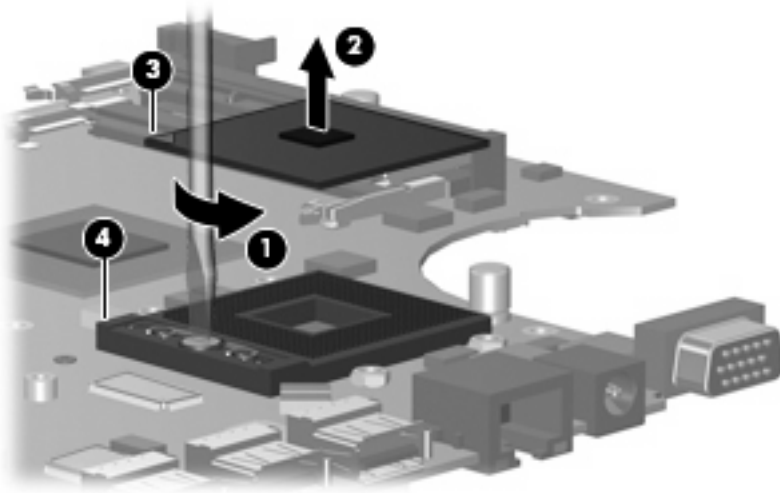
Before removing the processor, follow these steps:

1. Shut down the computer. If you are unsure whether the computer is off or in Hibernation, turn the computer on, and then shut it down through the operating system.
2. Disconnect all external devices connected to the computer.
3. Disconnect the power from the computer by first unplugging the power cord from the AC outlet and then unplugging the AC adapter from the computer.
4. Remove the battery (see [Battery on page 39](#)).
5. Remove the following components:
  - a. Hard drive (see [Hard drive on page 40](#))
  - b. Optical drive (see [Optical drive on page 46](#))
  - c. Keyboard (see [Keyboard on page 50](#))
  - d. Switch cover (see [Switch cover on page 48](#))
  - e. Speaker (see [Speaker on page 53](#))
  - f. Display lid switch module (see [Display lid switch module on page 54](#))
  - g. Display assembly (see [Display assembly on page 55](#))
  - h. Top cover (see [Top cover on page 60](#))
  - i. System board (see [System board on page 66](#))

Remove the processor:


1. Turn the system board upside down, with the USB connectors toward you.
2. Use a flat-bladed screwdriver to turn the processor locking screw **(1)** one-half turn counterclockwise until you hear a click.
3. Lift the processor **(2)** straight up and remove it.

 **NOTE:** When you install the processor, the gold triangle **(3)** on the processor must be aligned with the triangle **(4)** embossed on the processor socket.



Reverse this procedure to install the processor.

## Modem module

 **NOTE:** The modem module spare part kit does not include a modem module cable. The modem module cable is included in the Cable Kit, spare part number 456594-001.

Description	Spare part number
For use in the United States	461749-001
For use in Australia and New Zealand	461749-011

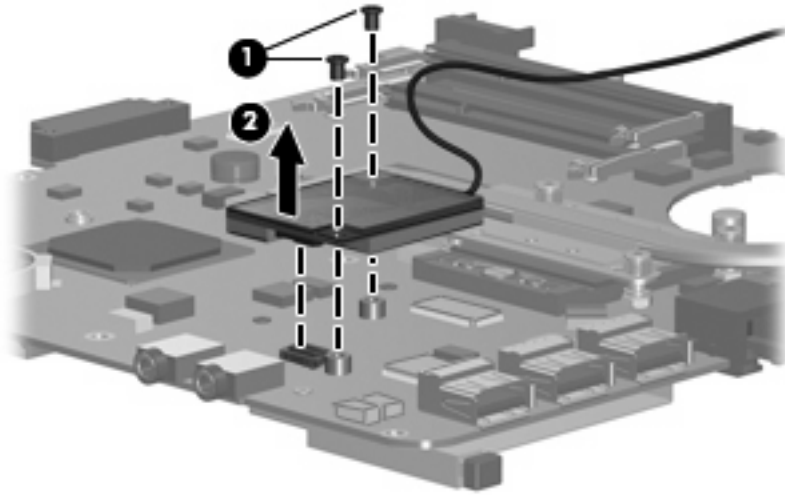
Before removing the modem module, follow these steps:

1. Shut down the computer. If you are unsure whether the computer is off or in Hibernation, turn the computer on, and then shut it down through the operating system.
2. Disconnect all external devices connected to the computer.
3. Disconnect the power from the computer by first unplugging the power cord from the AC outlet and then unplugging the AC adapter from the computer.
4. Remove the battery (see [Battery on page 39](#)).
5. Remove the following components:
  - a. Hard drive (see [Hard drive on page 40](#))
  - b. Optical drive (see [Optical drive on page 46](#))
  - c. Keyboard (see [Keyboard on page 50](#))
  - d. Switch cover (see [Switch cover on page 48](#))
  - e. Speaker (see [Speaker on page 53](#))
  - f. Display lid switch module (see [Display lid switch module on page 54](#))
  - g. Display assembly (see [Display assembly on page 55](#))
  - h. Top cover (see [Top cover on page 60](#))
  - i. System board (see [System board on page 66](#))

Remove the modem module:

1. Turn the system board upside down, with the USB connectors toward you.
2. Remove the two Phillips PM2.5×4.0 screws (1) that secure the modem module to the system board.


3. Lift the modem module (2) straight up to disconnect it from the system board.



4. Remove the modem module.

Reverse this procedure to install the modem module.

## RTC battery

 **NOTE:** Removing the RTC battery and leaving it uninstalled for 5 or more minutes causes all passwords and CMOS settings to be cleared.

Description	Spare part number
RTC battery	449137-001

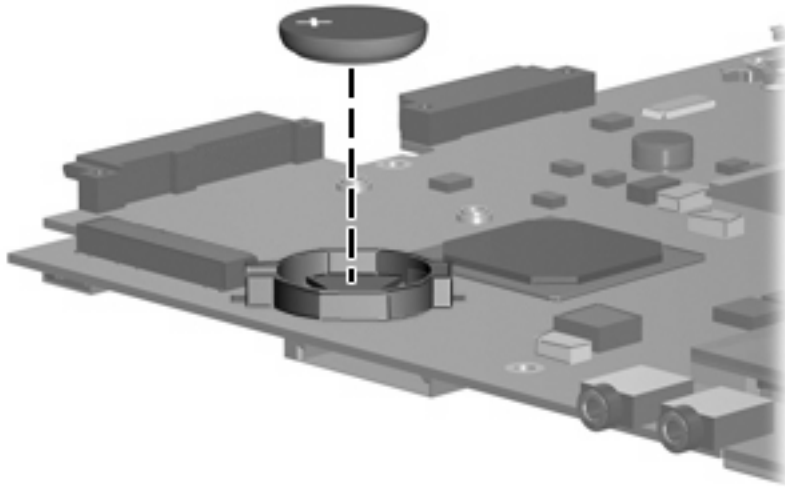
Before removing the RTC battery, follow these steps:

1. Shut down the computer. If you are unsure whether the computer is off or in Hibernation, turn the computer on, and then shut it down through the operating system.
2. Disconnect all external devices connected to the computer.
3. Disconnect the power from the computer by first unplugging the power cord from the AC outlet and then unplugging the AC adapter from the computer.
4. Remove the battery (see [Battery on page 39](#)).
5. Remove the following components:
  - a. Hard drive (see [Hard drive on page 40](#))
  - b. Optical drive (see [Optical drive on page 46](#))
  - c. Keyboard (see [Keyboard on page 50](#))
  - d. Switch cover (see [Switch cover on page 48](#))
  - e. Speaker (see [Speaker on page 53](#))
  - f. Display lid switch module (see [Display lid switch module on page 54](#))
  - g. Display assembly (see [Display assembly on page 55](#))
  - h. Top cover (see [Top cover on page 60](#))
  - i. System board (see [System board on page 66](#))

Remove the RTC battery:


1. Turn the system board upside down, with the audio connectors toward you.

2. Remove the RTC battery from the socket on the system board.



Reverse this procedure to install the RTC battery.

## ExpressCard assembly

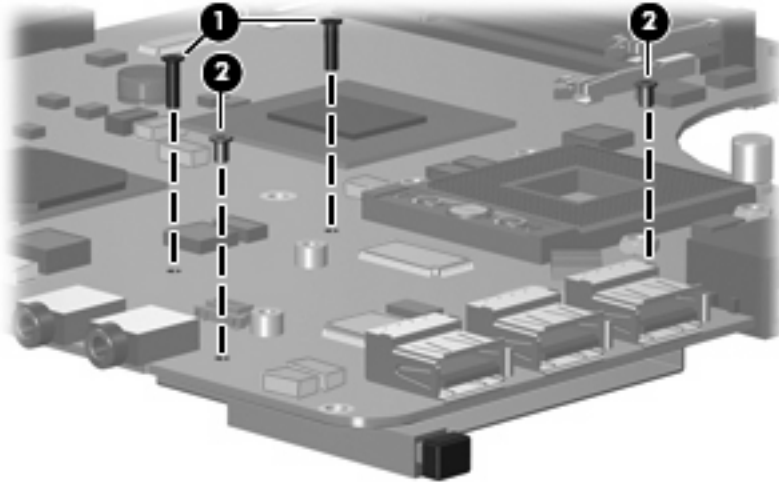
 **NOTE:** All system board spare part kits include the ExpressCard assembly.

Before removing the ExpressCard assembly, follow these steps:

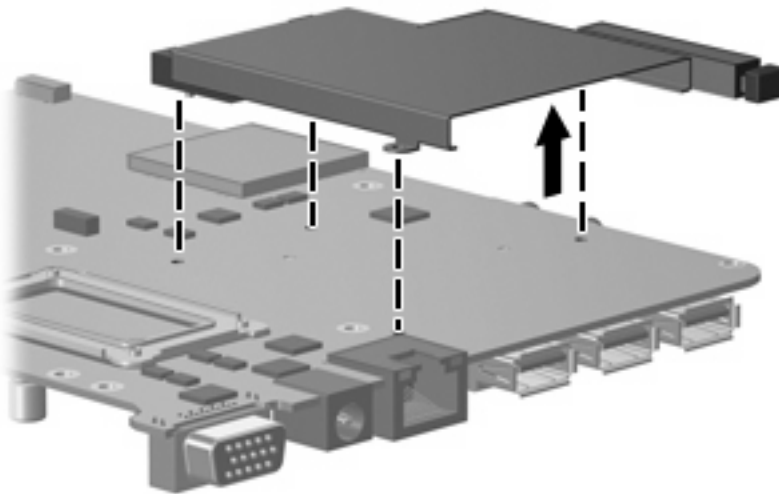
1. Shut down the computer. If you are unsure whether the computer is off or in Hibernation, turn the computer on, and then shut it down through the operating system.
2. Disconnect all external devices connected to the computer.
3. Disconnect the power from the computer by first unplugging the power cord from the AC outlet and then unplugging the AC adapter from the computer.
4. Remove the battery (see [Battery on page 39](#)).
5. Remove the following components:
  - a. Hard drive (see [Hard drive on page 40](#))
  - b. Optical drive (see [Optical drive on page 46](#))
  - c. Keyboard (see [Keyboard on page 50](#))
  - d. Switch cover (see [Switch cover on page 48](#))
  - e. Speaker (see [Speaker on page 53](#))
  - f. Display lid switch module (see [Display lid switch module on page 54](#))
  - g. Display assembly (see [Display assembly on page 55](#))
  - h. Top cover (see [Top cover on page 60](#))
  - i. System board (see [System board on page 66](#))

Remove the ExpressCard assembly:

1. Turn the system board upside down, with the USB connectors toward you.
2. Remove the two Phillips PM2.0×8.0 screws **(1)** and the two Phillips PM2.0×4.0 screws **(2)** that secure the ExpressCard assembly to the system board.



3. Turn the system board right-side up, with the USB connectors toward you.
4. Remove the ExpressCard assembly from the system board.



Reverse this procedure to install the ExpressCard assembly.




---

# 5 Computer Setup

## Starting Computer Setup

Computer Setup is a preinstalled, ROM-based utility that can be used even when the operating system is not working or will not load.

---

 **NOTE:** Some of the Computer Setup menu items listed in this guide may not be supported by your computer.

**NOTE:** Pointing devices are not supported in Computer Setup. You must use the keyboard to navigate and make selections.

**NOTE:** An external keyboard connected by USB can be used with Computer Setup only if USB legacy support is enabled.

---

To start Computer Setup, follow these steps:

1. Turn on or restart the computer.
2. Before Windows® opens and while the “F10=ROM Based Setup” message is displayed in the lower-left corner of the screen, press **f10**.

# Using Computer Setup

## Navigating and selecting in Computer Setup

The information and settings in Computer Setup are accessed from the File, Security, Diagnostics, and System Configuration menus.

1. Open Computer Setup by turning on or restarting the computer, and then pressing **f10** while the "F10 = ROM Based Setup" message is displayed in the lower-left corner of the screen.

Because Computer Setup is not Windows-based, it does not support the TouchPad. Navigation and selection are by keystroke:

- To choose a menu or a menu item, use the arrow keys.
  - To select an item, press **enter**.
  - To close open dialog boxes and return to the main Computer Setup screen, press **esc**.
  - To view navigation information, press **f1**.
  - To change the language, press **f2**.
2. Select the **File**, **Security**, **Diagnostics**, or **System Configuration** menu.
  3. To exit Computer Setup, choose one of the following methods:
    - To exit Computer Setup without saving your preferences, use the arrow keys to select **File > Ignore Changes and Exit**. Then follow the instructions on the screen.
    - To save your preferences and exit Computer Setup, use the arrow keys to select **File > Save Changes and Exit**. Then follow the instructions on the screen.

Your preferences go into effect when the computer restarts.


## Restoring factory settings in Computer Setup

To return all settings in Computer Setup to the values that were set at the factory, follow these steps:

1. Open Computer Setup by turning on or restarting the computer, and then pressing **f10** while the "F10 = ROM Based Setup" message is displayed in the lower-left corner of the screen.
2. Use the arrow keys to select **File > Restore defaults**, and then press **enter**.
3. When the confirmation dialog box opens, press **f10**.
4. To save your preferences and exit Computer Setup, use the arrow keys to select **File > Save Changes and Exit**. Then follow the instructions on the screen.

Your preferences go into effect when the computer restarts.


---

 **NOTE:** Your password settings and security settings are not changed when you restore the factory settings.

---

# Computer Setup menus

The menu tables in this section provide an overview of Computer Setup options.

 **NOTE:** Some of the Computer Setup menu items listed in this chapter may not be supported by your computer.

## File menu

Select	To do this
System information	<ul style="list-style-type: none"><li>• View identification information for the computer and the batteries in the system.</li><li>• View specification information for the processor, cache and memory size, system ROM, video revision, and keyboard controller version.</li></ul>
Restore defaults	Replace the configuration settings in Computer Setup with the original factory settings. (Password settings and security settings are not changed when you restore the factory settings.)
Ignore changes and exit	Cancel any changes entered during the current session. Then exit and restart the computer.
Save changes and exit	Save any changes entered during the current session. Then exit and restart the computer. Your changes go into effect when the computer restarts.


## Security menu

Select	To do this
Setup password	Enter, change, or delete a setup password.
Power-On password	Enter, change, or delete a power-on password.
Password options	<ul style="list-style-type: none"><li>• Enable/disable stringent security.</li><li>• Enable/disable password requirement on computer restart.</li></ul>
DriveLock passwords	<ul style="list-style-type: none"><li>• Enable/disable DriveLock on any computer hard drive and on optional MultiBay hard drives.</li><li>• Change a DriveLock user password or master password.</li></ul> <p><b>NOTE:</b> DriveLock settings are accessible only when you enter Computer Setup by turning on (not restarting) the computer.</p>
System IDs	Enter user-defined computer asset tracking number and ownership tag.
Disk Sanitizer	Run Disk Sanitizer to destroy all existing data on the primary hard drive. The following options are available: <ul style="list-style-type: none"><li>• Fast: Runs the Disk Sanitizer erase cycle once.</li><li>• Optimum: Runs the Disk Sanitizer erase cycle 3 times.</li><li>• Custom: Allows you to select the desired number of Disk Sanitizer erase cycles from a list.</li></ul> <p><b>CAUTION:</b> If you run Disk Sanitizer, the data on the primary hard drive is destroyed permanently.</p>

## Diagnostics menu

Select	To do this
Hard Drive Self-Test options	Run a comprehensive self-test on any hard drive in the system or on any optional MultiBay hard drive.
Memory Check	Run a comprehensive check on system memory.
Startup Check (select models only)	Verify the system components needed for starting the computer.

## System Configuration menu

 **NOTE:** Some of the listed System Configuration options may not be supported by your computer.

Select	To do this
Language (or press <b>f2</b> )	Change the Computer Setup language.
Boot options	<ul style="list-style-type: none"><li>• Set <b>f9</b>, <b>f10</b>, and <b>f12</b> delay when starting up.</li><li>• Enable/disable CD-ROM boot.</li><li>• Enable/disable floppy boot.</li><li>• Enable/disable internal network adapter boot and set the boot mode (PXE or RPL).</li><li>• Enable/disable MultiBoot, which sets a boot order that can include most boot devices in the system.</li><li>• Set the Express Boot Popup delay in seconds.</li><li>• Set the boot order.</li></ul>
Device configurations	<ul style="list-style-type: none"><li>• Swap the functions of the <b>fn</b> key and left <b>ctrl</b> key.</li><li>• Enable/disable multiple standard pointing devices at startup. (To set the computer to support only a single, usually nonstandard, pointing device at startup, select <b>Disable</b>.)</li><li>• Enable/disable USB legacy support. When enabled, USB legacy support allows the following:<ul style="list-style-type: none"><li>◦ Use of a USB keyboard, mouse, and hub in Computer Setup even when a Windows operating system is not running.</li><li>◦ Startup from bootable USB devices, including a hard drive, diskette drive, or optical drive connected by a</li></ul></li></ul>

---

Select	To do this
	USB port to the computer or to an optional docking device (select models only).
	<ul style="list-style-type: none"><li>• Select a parallel port mode: EPP (Enhanced Parallel Port), standard, bidirectional, or ECP (Enhanced Capabilities Port).</li><li>• Enable/disable BIOS DMA data transfers.</li><li>• Enable/disable fan always on while connected to an AC outlet.</li><li>• Enable/disable Intel Data Execution Prevention or AMD® PSAE Execution Disable. When enabled, the processor can disable some virus code execution, which helps to improve computer security.</li><li>• Enable/disable LAN Power Save. When enabled, saves power by turning off the LAN when not in use.</li><li>• Enable/disable SATA Native Mode.</li><li>• Enable/disable Dual Core CPU.</li><li>• Enable/disable Secondary Battery Fast Charge.</li><li>• Choose Bit-shift or LBA assisted HDD Translation Mode.</li><li>• Enable/disable Windows direct application launcher.</li><li>• Enable/disable HP Lockout.</li></ul>

---

Select	To do this
Built-In Device Options	<ul style="list-style-type: none"> <li>• Enable/disable embedded WWAN Device Radio.</li> <li>• Enable/disable embedded WLAN Device Radio.</li> <li>• Enable/disable embedded Bluetooth Device Radio.</li> <li>• Enable/disable LAN/WLAN Switching. When enabled, switches to a WLAN when a LAN is either unavailable or disconnected.</li> <li>• Enable/disable Wake on LAN from Off.</li> <li>• Enable/disable the ambient light sensor.</li> </ul>
Port Options	<ul style="list-style-type: none"> <li>• Enable/disable the serial port.</li> <li>• Enable/disable the parallel port.</li> <li>• Enable/disable the flash media reader.</li> <li>• Enable/disable the USB port.  <b>CAUTION:</b> Disabling the USB port also disables MultiBay devices and ExpressCard devices on the advanced port replicator.</li> <li>• Enable/disable the 1394 port.</li> <li>• Enable/disable the cardbus slot.</li> <li>• Enable/disable the ExpressCard slot.</li> <li>• Enable/disable the infrared port.</li> <li>• Enable/disable the optical disk drive.</li> <li>• Enable/disable the network controller.</li> </ul>

# 6 Specifications

## Computer specifications

	Metric	U.S.
<b>Dimensions</b>		
Length	26.68 cm	10.50 in
Width	35.80 cm	14.10 in
Height (front to rear)	3.23 to 3.58 cm	1.27 to 1.41 in
<b>Weight</b> (equipped with optical drive, hard drive, and battery)	2.45 kg	5.4 lbs
<b>Input power</b>		
Operating voltage	19.0 V dc @ 4.74 A – 90 W	
Operating current	4.74 A	
<b>Temperature</b>		
Operating (not writing to optical disc)	0°C to 35°C	32°F to 95°F
Operating (writing to optical disc)	5°C to 35°C	41°F to 95°F
Nonoperating	-20°C to 60°C	-4°F to 140°F
<b>Relative humidity</b>		
Operating	10% to 90%	
Nonoperating	5% to 95%	
<b>Maximum altitude</b> (unpressurized)		
Operating (14.7 to 10.1 psia)	-15 m to 3,048 m	-50 ft to 10,000 ft
Nonoperating (14.7 to 4.4 psia)	-15 m to 12,192 m	-50 ft to 40,000 ft
<b>Shock</b>		
Operating	125 g, 2 ms, half-sine	
Nonoperating	200 g, 2 ms, half-sine	
<b>Random vibration</b>		
Operating	0.75 g zero-to-peak, 10 Hz to 500 Hz, 0.25 oct/min sweep rate	



	Metric	U.S.
Nonoperating	1.50 g zero-to-peak, 10 Hz to 500 Hz, 0.5 oct/min sweep rate	

**NOTE:** Applicable product safety standards specify thermal limits for plastic surfaces. The computer operates well within this range of temperatures.

## 15.4-inch, WXGA display specifications

	Metric	U.S.
<b>Dimensions</b>		
Height	20.7 cm	8.15 in
Width	33.1 cm	13.03 in
Diagonal	39.1 cm	15.39 in
<b>Number of colors</b>	Up to 16.8 million	
<b>Contrast ratio</b>	200:1 (typical)	
<b>Brightness</b>	180 nits (typical)	
<b>Pixel resolution</b>		
Pitch	0.197 × 0.197 mm	
Format	1366 × 768	
Configuration	RGB vertical stripe	
<b>Backlight</b>	CCFT	
<b>Character display</b>	80 × 25	
<b>Total power consumption</b>	7.0 W	
<b>Viewing angle</b>	+/-40 horizontal, +/-50° vertical (typical)	

## Hard drive specifications

	250-GB*	160-GB*	120-GB*
<b>Dimensions</b>			
Height	9.5 mm	9.5 mm	9.5 mm
Width	70 mm	70 mm	70 mm
Weight	101 g	101 g	101 g
<b>Interface type</b>			
	SATA	SATA	SATA
<b>Transfer rate</b>			
	100 MB/sec	100 MB/sec	100 MB/sec
<b>Security</b>			
	ATA security	ATA security	ATA security
<b>Seek times</b> (typical read, including setting)			
Single track	3 ms	3 ms	3 ms
Average	13 ms	13 ms	13 ms
Maximum	24 ms	24 ms	24 ms
<b>Logical blocks</b>			
	488,397,168	312,560,640	234,420,480
<b>Disc rotational speed</b>			
	5400 rpm	5400 rpm	5400 rpm
<b>Operating temperature</b>			
	5°C to 55°C (41°F to 131°F)		
*1 GB = 1 billion bytes when referring to hard drive storage capacity. Actual accessible capacity is less. Actual drive specifications may differ slightly.			
<b>NOTE:</b> Certain restrictions and exclusions apply. Contact technical support for details.			

# DVD±RW and CD-RW SuperMulti Double-Layer Combo Drive with LightScribe specifications

<b>Applicable disc</b>	<b>Read:</b>	<b>Write:</b>
	CD-DA, CD+(E)G, CD-MIDI, CD-TEXT, CD-ROM, CD-ROM XA, MIXED MODE CD, CD-I, CD-I Bridge (Photo-CD, Video CD), Multisession CD (Photo-CD, CD-EXTRA, Portfolio, CD-R, CD-RW), CD-R, CD-RW, DVD-ROM (DVD-5, DVD-9, DVD-10, DVD-18), DVD-R, DVD-RW, DVD+R, DVD+RW, DVD-RAM	CD-R and CD-RW DVD+R, DVD+RW, DVD-R, DVD-RW, DVD-RAM
<b>Access time</b>	<b>CD</b>	<b>DVD</b>
Random	< 160 ms	< 190 ms
<b>Cache buffer</b>	2 MB	
<b>Data transfer rate</b>		
24X CD-ROM	3,600 KB/sec	
8X DVD-ROM	10,800 KB/sec	
24X CD-R	3,600 KB/sec	
24X CD-RW	3,600 KB/sec	
8X DVD+R	10,800 KB/sec	
8X DVD-R	10,800 KB/sec	
8X DVD+RW	10,800 KB/sec	
6X DVD-RW	8,100 KB/sec	
6X DVD±DUAL	8,100 KB/sec	
5X DVD-RAM	6,750 KB/sec	
<b>Transfer mode</b>	Multiword DMA Mode	

## DVD/CD-RW Combo Drive specifications

<b>Applicable disc</b>	<b>Read:</b>	<b>Write:</b>
	CD-DA, CD+(E)G, CD-MIDI, CD-TEXT, CD-ROM, CD-ROM XA, MIXED MODE CD, CD-I, CD-I Bridge (Photo-CD, Video CD), Multisession CD (Photo-CD, CD-EXTRA, Portfolio, CD-R, CD-RW), CD-R, CD-RW, DVD-ROM (DVD-5, DVD-9, DVD-10, DVD-18), DVD-R, DVD-RW, DVD+R, DVD+RW, DVD-RAM	CD-R and CD-RW
<b>Access time</b>	<b>CD</b>	<b>DVD</b>
Random	< 110 ms	< 130 ms
<b>Cache buffer</b>	2 MB	
<b>Data transfer rate</b>		
24X CD-ROM	3,600 KB/sec	
8X DVD	3,600 KB/sec	
24X CD-R	3,600 KB/sec	
24X CD-RW	3,600 KB/sec	
<b>Transfer mode</b>	Multiword DMA mode 2	

## System DMA specifications

Hardware DMA	System function
DMA0	Not applicable
DMA1*	Not applicable
DMA2*	Not applicable
DMA3	Not applicable
DMA4	Direct memory access controller
DMA5*	Available for ExpressCard
DMA6	Not assigned
DMA7	Not assigned

\*ExpressCard controller can use DMA 1, 2, or 5.

## System interrupt specifications

Hardware IRQ	System function
IRQ0	System timer
IRQ1	Standard 101-/102-Key or Microsoft® Natural Keyboard
IRQ2	Cascaded
IRQ3	Intel 82801DB/DBM USB2 Enhanced Host Controller—24CD
IRQ4	COM1
IRQ5*	Conexant AC—Link Audio Intel 82801DB/DBM SMBus Controller—24C3 Data Fax Modem with SmartCP
IRQ6	Diskette drive
IRQ7*	Parallel port
IRQ8	System CMOS/real-time clock
IRQ9*	Microsoft ACPI-compliant system
IRQ10*	Intel USB UHCI controller—24C2 Intel 82852/82855 GM/GME Graphic Controller Realtek RTL8139 Family PCI Fast Ethernet Controller
IRQ11	Intel USB EHCI controller—24CD Intel USB UHCI controller—24C4 Intel USB UHCI controller—24C7 Intel Pro/Wireless 2200BG TI OHCI 1394 host controller TI PCI1410 CardBus controller
IRQ12	Synaptics PS/2 TouchPad
IRQ13	Numeric data processor
IRQ14	Primary IDE channel
IRQ15	Secondary IDE channel

\*Default configuration; audio possible configurations are IRQ5, IRQ7, IRQ9, IRQ10, or none.

**NOTE:** ExpressCards may assert IRQ3, IRQ4, IRQ5, IRQ7, IRQ9, IRQ10, IRQ11, or IRQ15. Either the infrared or the serial port may assert IRQ3 or IRQ4.

## System I/O address specifications

I/O address (hex)	System function (shipping configuration)
000 - 00F	DMA controller no. 1
010 - 01F	Unused
020 - 021	Interrupt controller no. 1
022 - 024	Opti chipset configuration registers
025 - 03F	Unused
02E - 02F	87334 "Super I/O" configuration for CPU
040 - 05F	Counter/timer registers
044 - 05F	Unused
060	Keyboard controller
061	Port B
062 - 063	Unused
064	Keyboard controller
065 - 06F	Unused
070 - 071	NMI enable/RTC
072 - 07F	Unused
080 - 08F	DMA page registers
090 - 091	Unused
092	Port A
093 - 09F	Unused
0A0 - 0A1	Interrupt controller no. 2
I/O Address (hex)	System Function (shipping configuration)
0A2 - 0BF	Unused
0C0 - 0DF	DMA controller no. 2
0E0 - 0EF	Unused
0F0 - 0F1	Coprocessor busy clear/reset
0F2 - 0FF	Unused
100 - 16F	Unused
170 - 177	Secondary fixed disk controller
178 - 1EF	Unused
1F0 - 1F7	Primary fixed disk controller
1F8 - 200	Unused
201	JoyStick (decoded in ESS1688)
202 - 21F	Unused

I/O address (hex)	System function (shipping configuration)
220 - 22F	Entertainment audio
230 - 26D	Unused
26E - 26	Unused
278 - 27F	Unused
280 - 2AB	Unused
2A0 - 2A7	Unused
2A8 - 2E7	Unused
2E8 - 2EF	Reserved serial port
2F0 - 2F7	Unused
2F8 - 2FF	Infrared port
300 - 31F	Unused
320 - 36F	Unused
370 - 377	Secondary diskette drive controller
378 - 37F	Parallel port (LPT1/default)
380 - 387	Unused
388 - 38B	FM synthesizer—OPL3
38C - 3AF	Unused
3B0 - 3BB	VGA
3BC - 3BF	Reserved (parallel port/no EPP support)
3C0 - 3DF	VGA
3E0 - 3E1	ExpressCard controller in CPU
3E2 - 3E3	Unused
3E8 - 3EF	Internal modem
3F0 - 3F7	“A” diskette controller
3F8 - 3FF	Serial port (COM1/default)
CF8 - CFB	PCI configuration index register (PCIDIVO-1)
CFC - CFF	PCI configuration data register (PCIDIVO-1)



## System memory map specifications

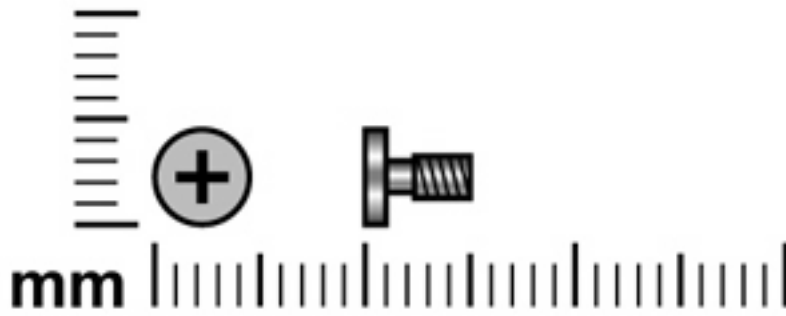
Size	Memory address	System function
640 KB	00000000-0009FFFF	Base memory
128 KB	000A0000-000BFFFF	Video memory
48 KB	000C0000-000CBFFF	Video BIOS
160 KB	000C8000-000E7FFF	Unused
64 KB	000E8000-000FFFFFF	System BIOS
15 MB	00100000-00FFFFFF	Extended memory
58 MB	04800000-07FFFFFF	Super extended memory
58 MB	04800000-07FFFFFF	Unused
2 MB	08000000-080FFFFFF	Video memory (direct access)
4 GB	08200000-FFFFFF	Unused
64 KB	FFFF0000-FFFFFFFF	System BIOS

---

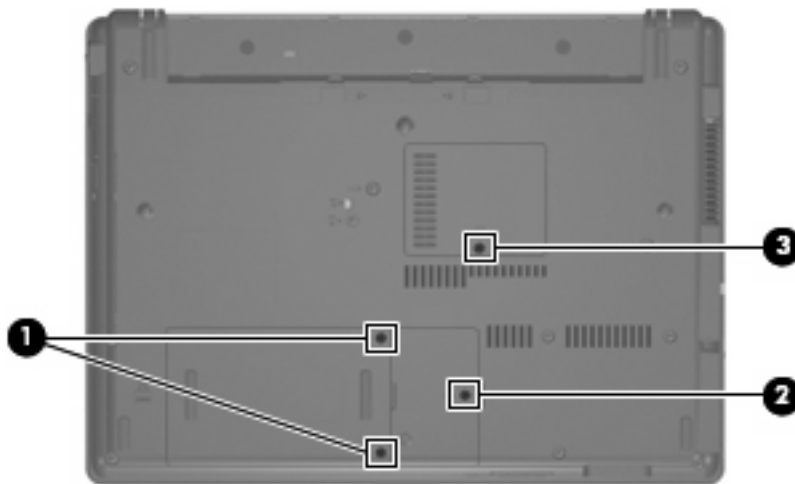
## 7 Screw listing

This section provides specification and reference information for the screws and screw locks used in the computer. All screws listed in this section are available in the Screw Kit, spare part number 500131-001.

## Phillips PM2.0×5.0 captive screw



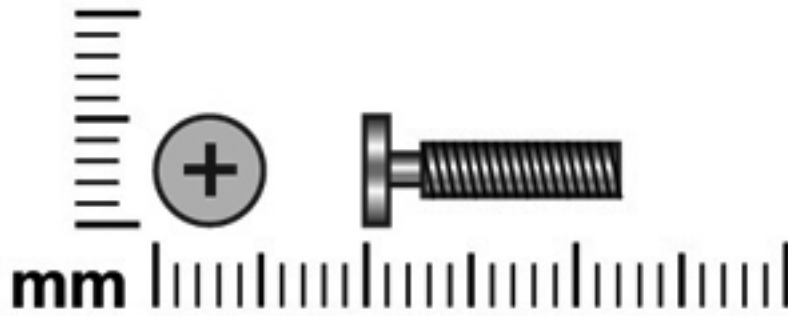
Color	Quantity	Length	Thread	Head diameter
Black	4	5.0 mm	2.0 mm	5.0 mm



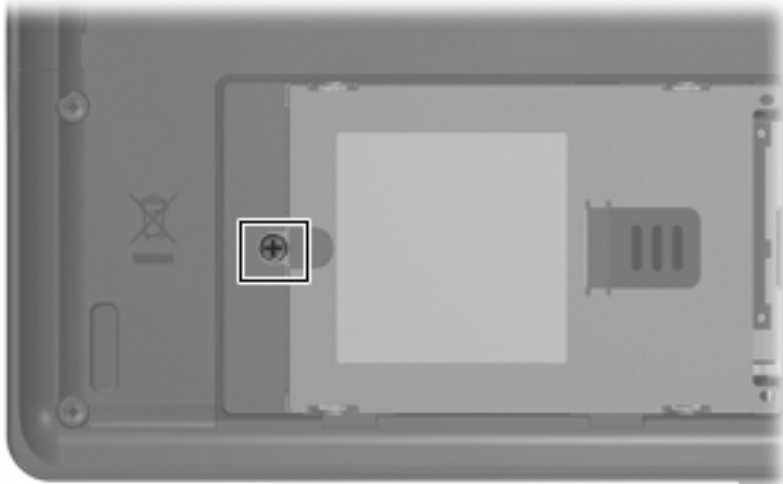
### Where used:

- (1) Two captive screws that secure the hard drive bay cover to the computer (screws are captured on the cover by C-clips)
- (2) One captive screw that secures the WLAN module compartment cover to the computer (screw is captured on the cover by a C-clip)
- (3) One captive screw that secures the memory module compartment cover to the computer (screw is captured on the cover by a C-clip)

## Phillips PM2.5×12.0 captive screw

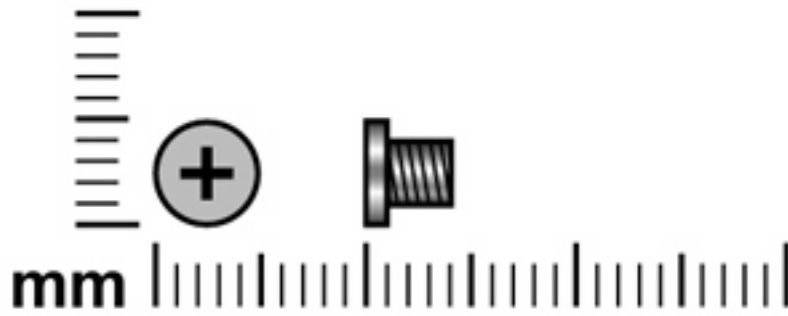


Color	Quantity	Length	Thread	Head diameter
Silver	1	12.0 mm	2.5 mm	5.0 mm

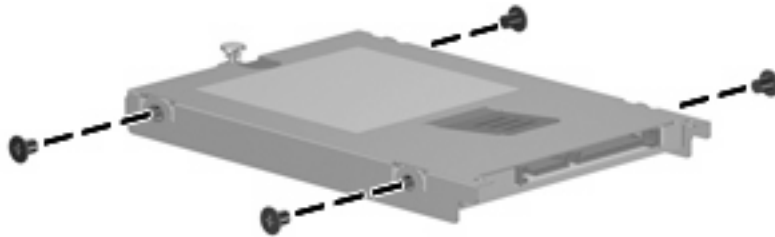


**Where used:** One captive screw that secures the hard drive to the computer (screw is secured to the hard drive bracket)

## Phillips PM3.0×4.0 screw

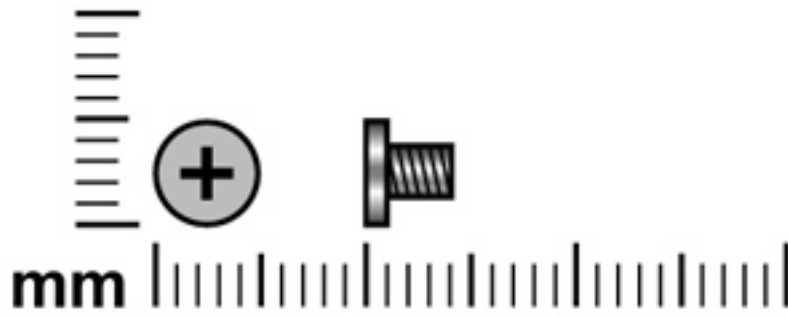


Color	Quantity	Length	Thread	Head diameter
Silver	4	4.0 mm	3.0 mm	5.0 mm

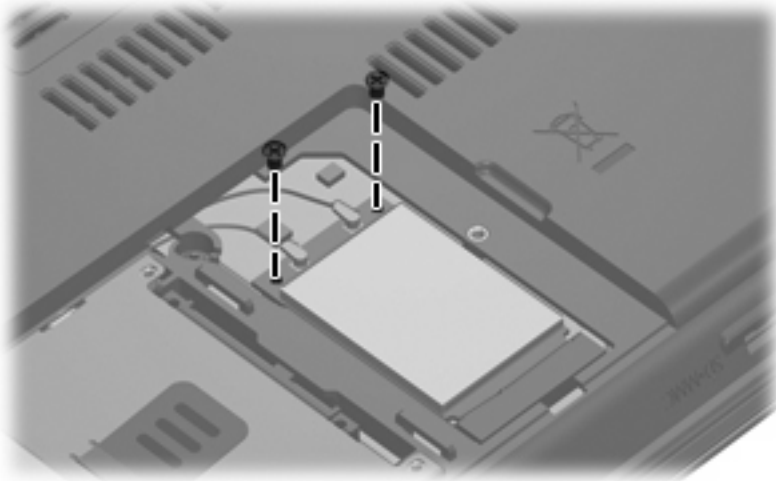


**Where used:** 4 screws that secure the hard drive bracket to the hard drive

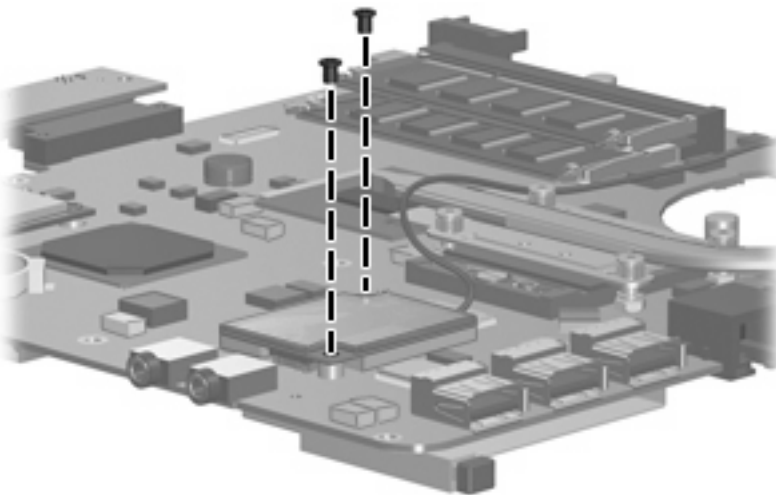
## Phillips PM2.5×4.0 screw



Color	Quantity	Length	Thread	Head diameter
Black	4	4.0 mm	2.5 mm	5.0 mm

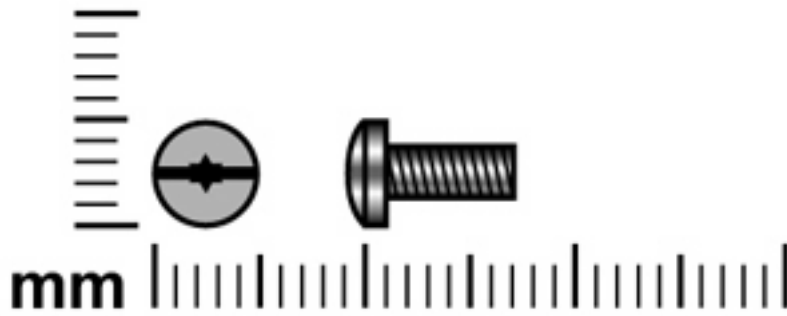


**Where used:** 2 screws that secure the WLAN module to the system board

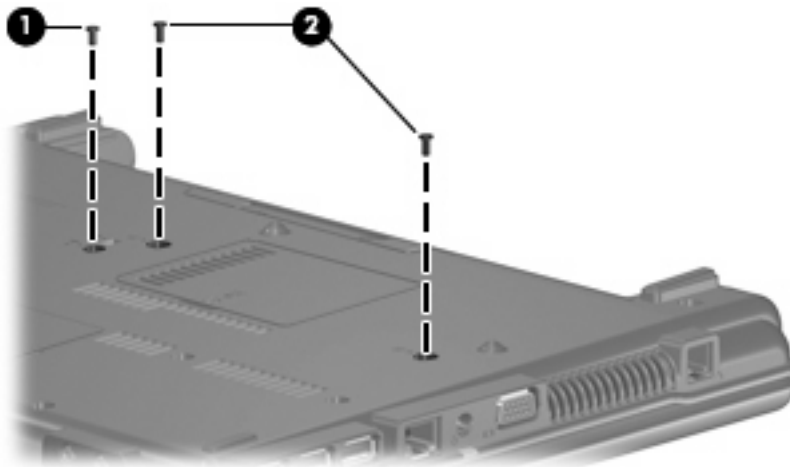


**Where used:** 2 screws that secure the modem module to the system board

## Slotted Torx ST8M2.5×7.0 screw



Color	Quantity	Length	Thread	Head diameter
Black	17	7.0 mm	2.5 mm	5.0 mm

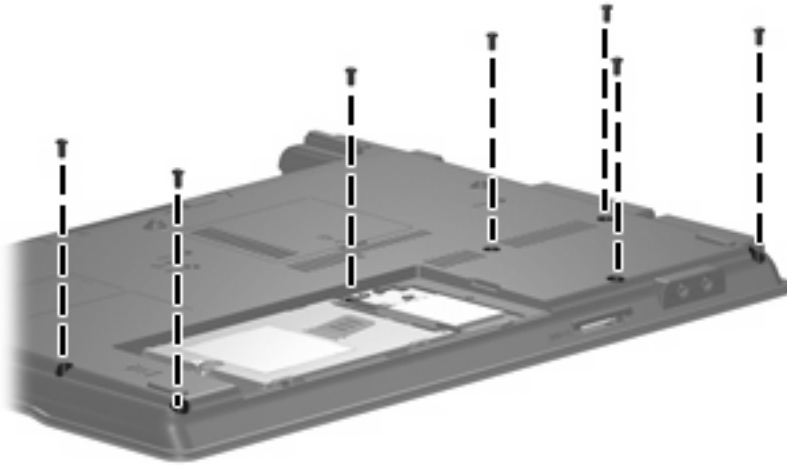


### Where used:

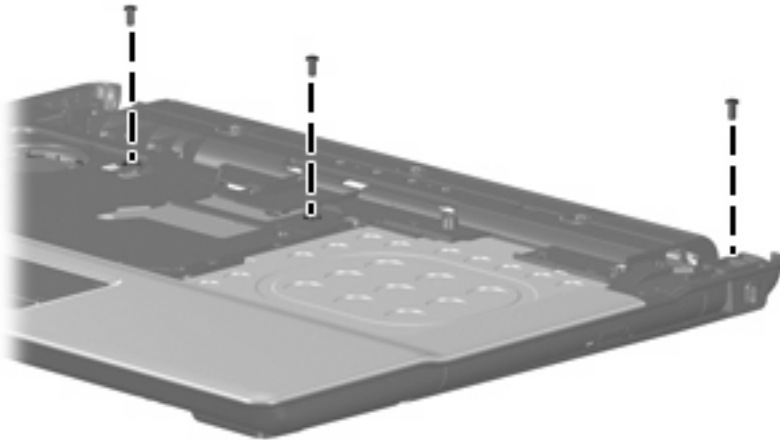
- (1) One screw that secures the optical drive to the computer
- (2) Two screws that secure the keyboard to the computer



**Where used:** 4 screws that secure the display assembly to the computer



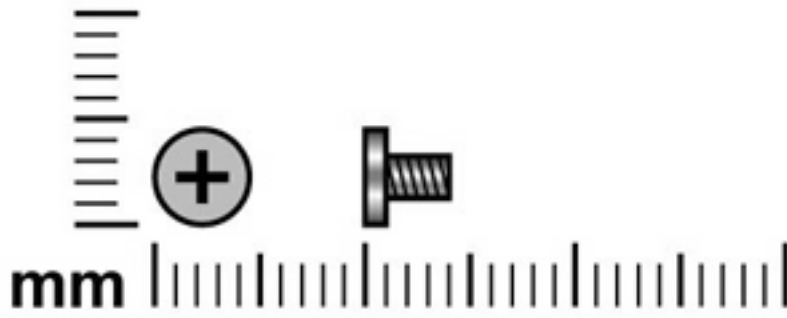
**Where used:** 7 screws that secure the top cover to the base enclosure



**Where used:** 3 screws that secure the top cover to the base enclosure



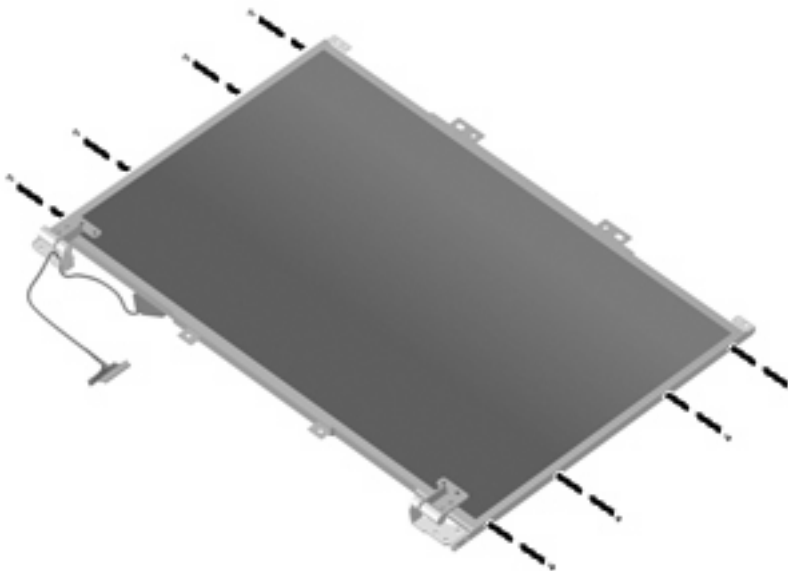
# Phillips PM2.0×4.0 screw



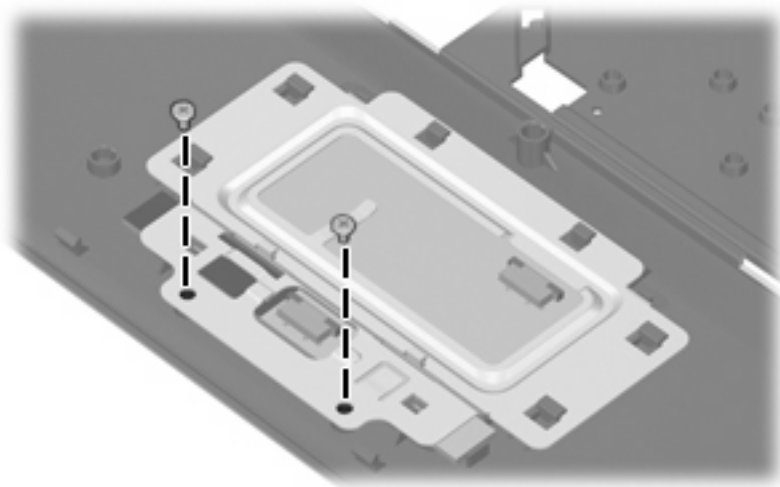
Color	Quantity	Length	Thread	Head diameter
Silver	16	4.0 mm	2.0 mm	4.5 mm



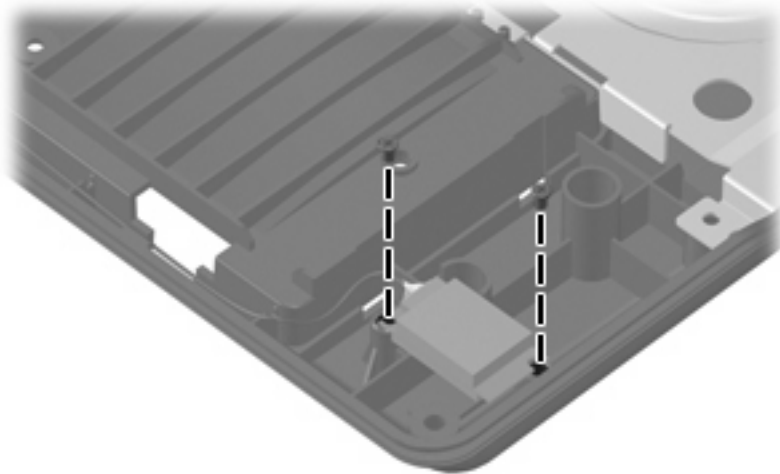
**Where used:** 2 screws that secure the optical drive bracket to the optical drive



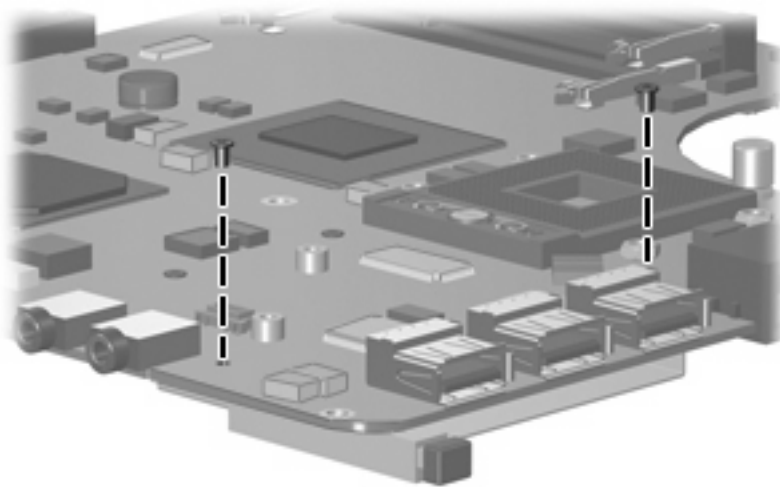
**Where used:** 8 screws that secure the display hinges to the display assembly



**Where used:** 2 screws that secure the TouchPad Bracket and TouchPad button board to the top cover

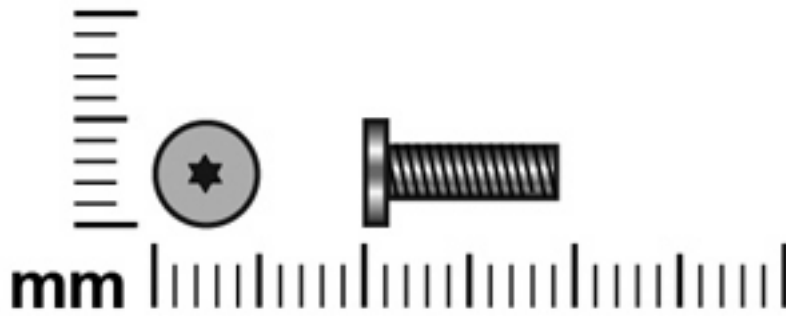


**Where used:** 2 screws that secure the Bluetooth module to the base enclosure

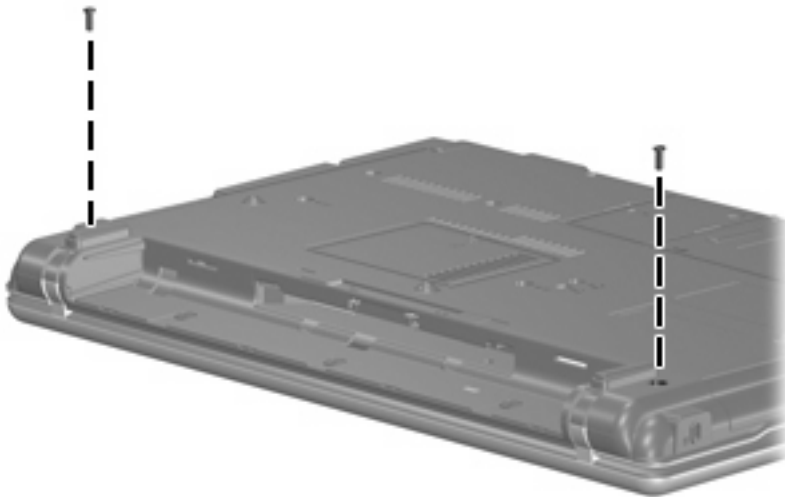


**Where used:** 2 screws that secure the ExpressCard assembly to the system board

## Torx T8M2.5×9.0 screw

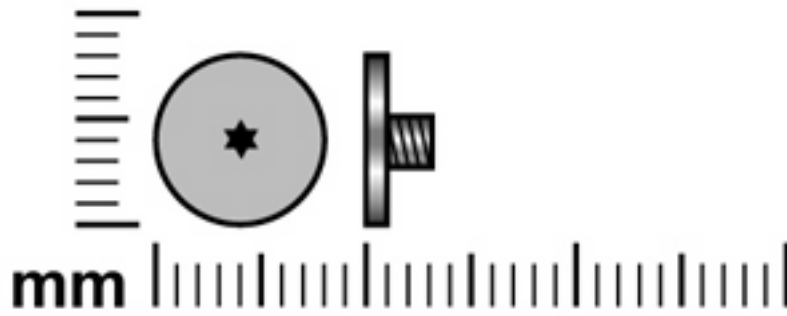


Color	Quantity	Length	Thread	Head diameter
Black	2	9.0 mm	2.5 mm	5.0 mm

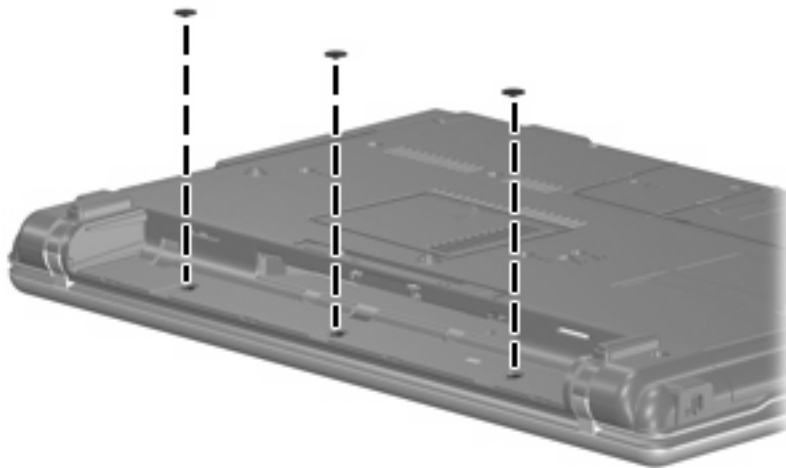


**Where used:** 2 screws that secure the switch cover to the computer

## Torx T8M2.5×3.0 broadhead screw

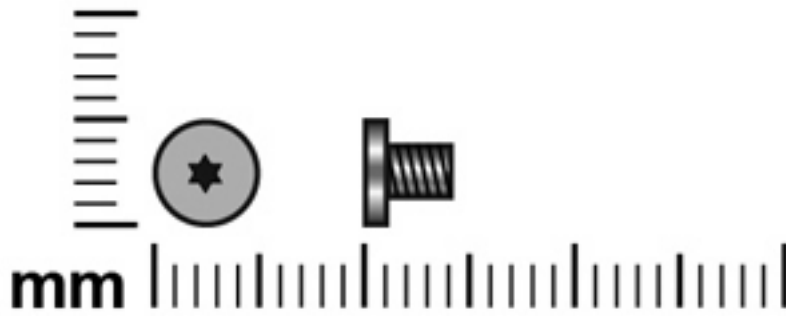


Color	Quantity	Length	Thread	Head diameter
Black	3	3.0 mm	2.5 mm	8.0 mm

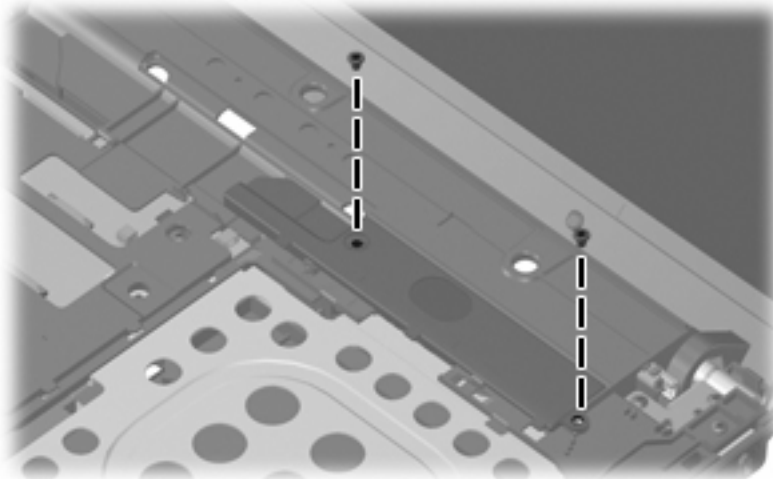


**Where used:** 3 screws that secure the switch cover to the computer

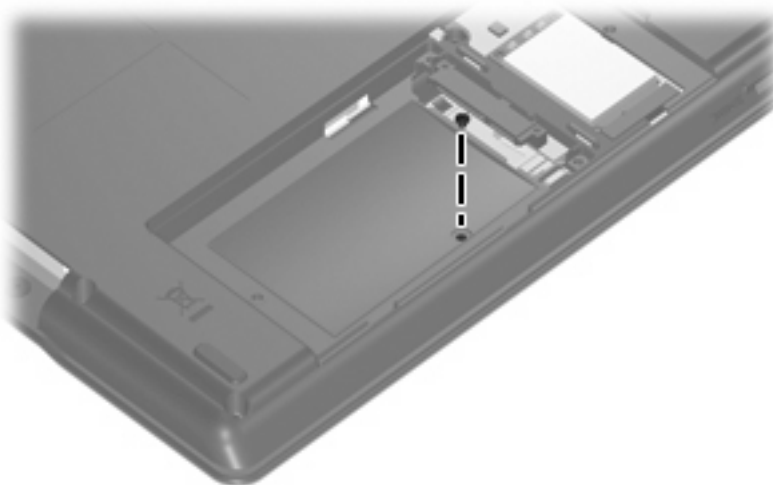
## Torx T8M2.5×4.0 screw



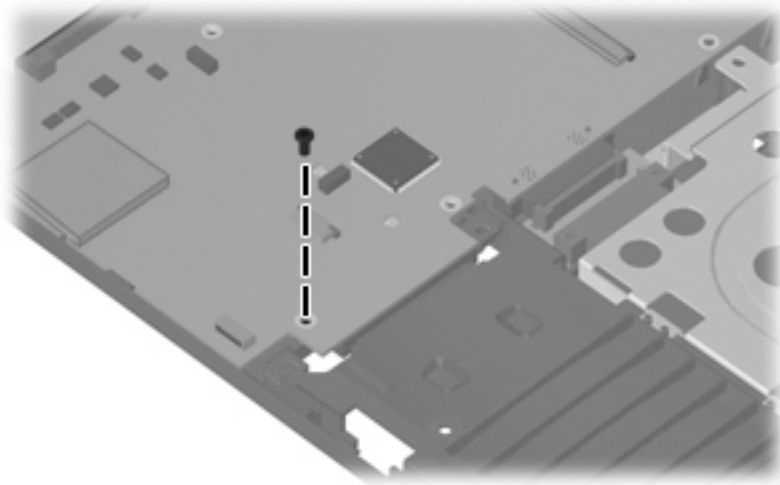
Color	Quantity	Length	Thread	Head diameter
Black	4	4.0 mm	2.5 mm	5.0 mm



**Where used:** 2 screws that secure the speaker to the computer

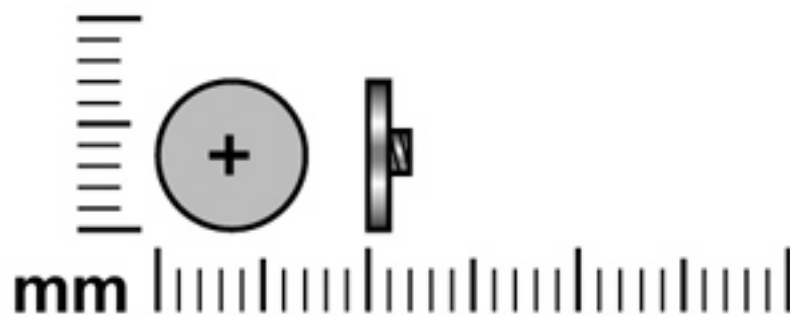


**Where used:** One screw that secures the top cover to the base enclosure

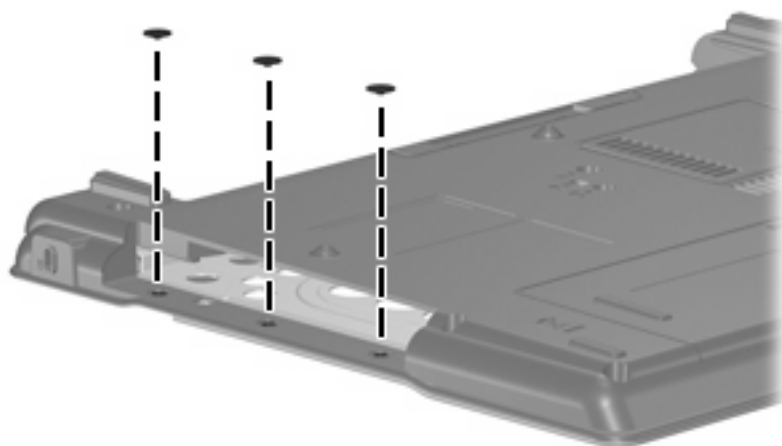


**Where used:** One screw that secures the system board to the base enclosure

## Phillips PM2.0×2.0 broadhead screw

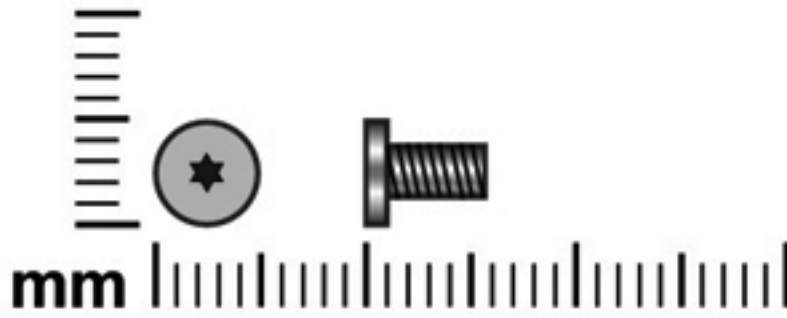


Color	Quantity	Length	Thread	Head diameter
Black	3	2.0 mm	2.0 mm	7.0 mm

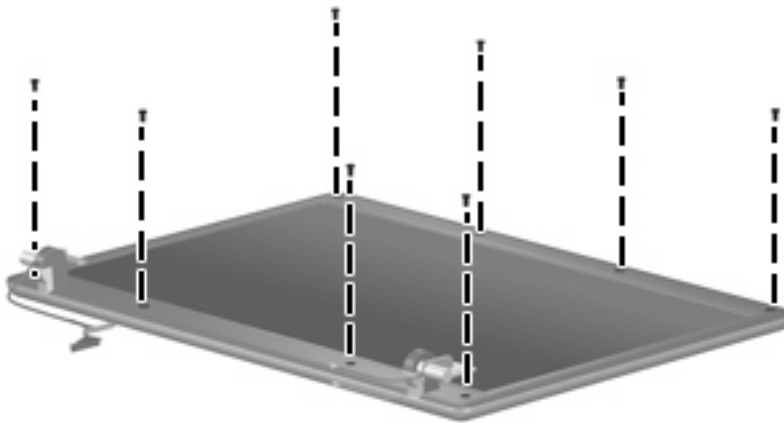


**Where used:** 3 screws that secure the top cover to the display enclosure

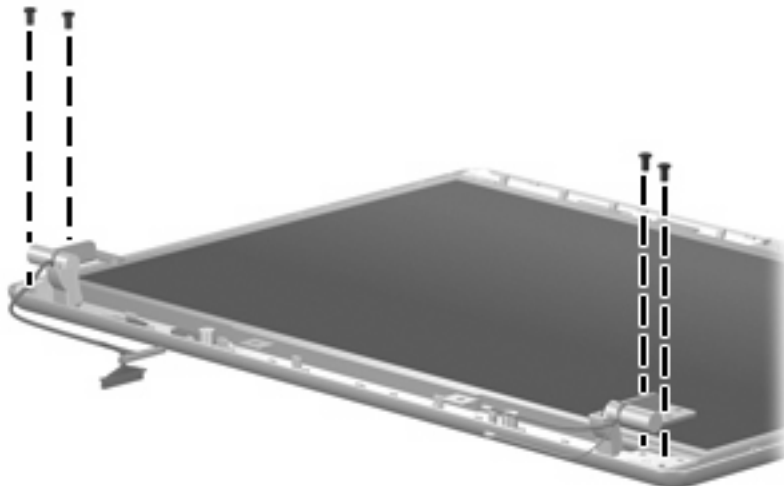
## Torx T8M2.5×6.0 screw



Color	Quantity	Length	Thread	Head width
Black	12	6.0 mm	2.5 mm	5.0 mm



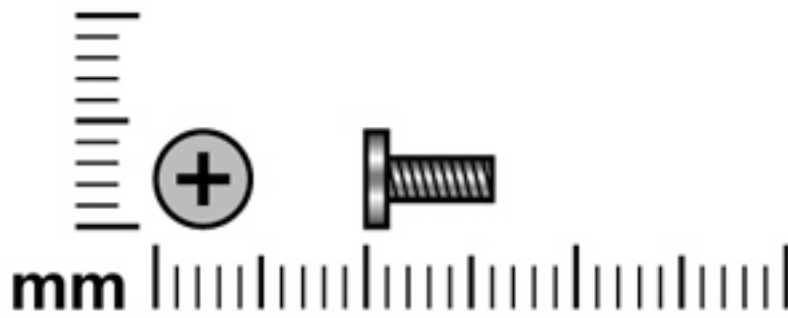
**Where used:** 8 screws that secure the display bezel to the display assembly



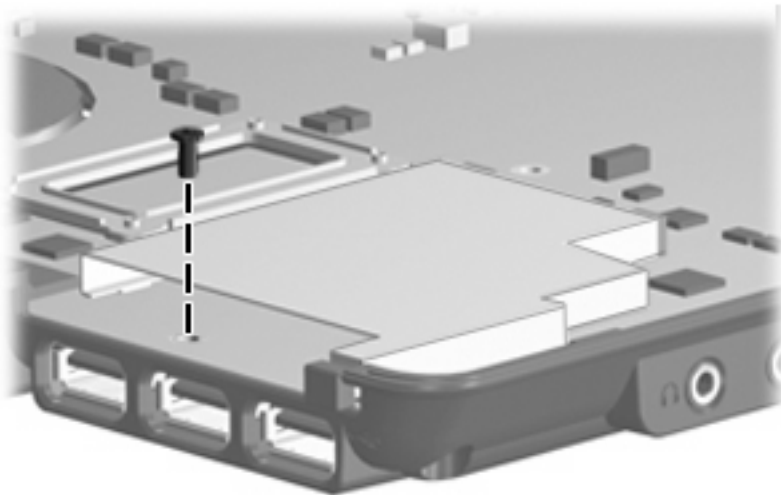
**Where used:** 4 screws that secure the display panel to the display enclosure



## Phillips PM2.0×6.0 screw

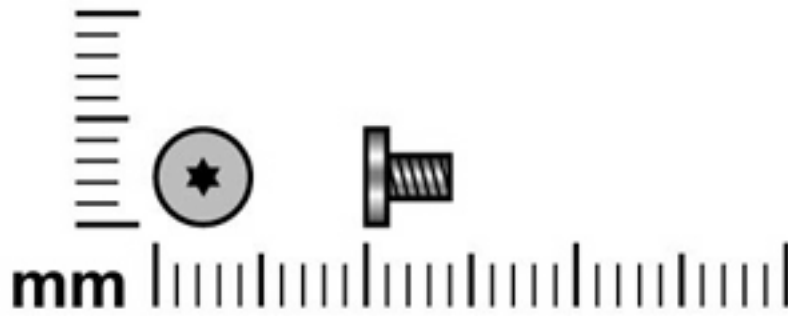


Color	Quantity	Length	Thread	Head diameter
Black	1	6.0 mm	2.0 mm	4.5 mm

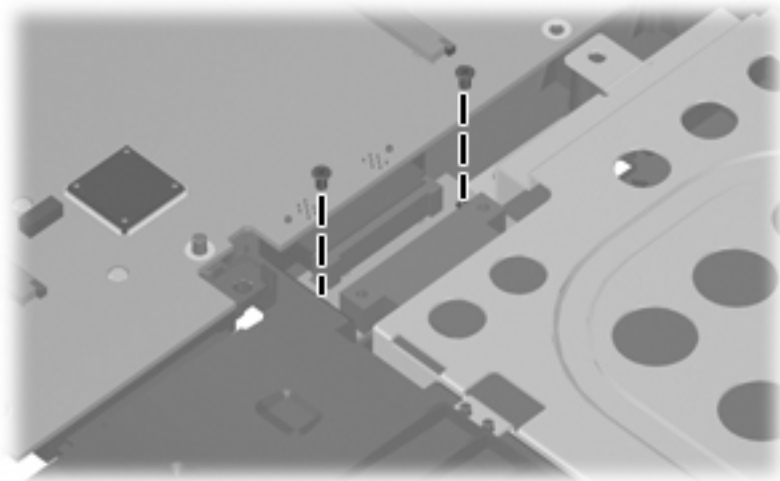


**Where used:** One screw that secures the system board to the base enclosure

## Torx T8M2.0×4.0 screw

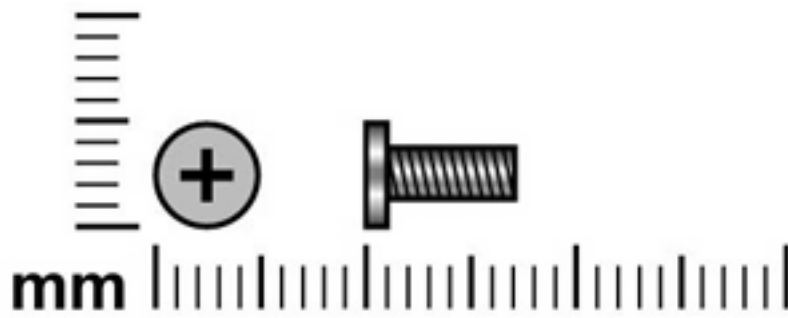


Color	Quantity	Length	Thread	Head diameter
Black	2	4.0 mm	2.0 mm	4.5 mm

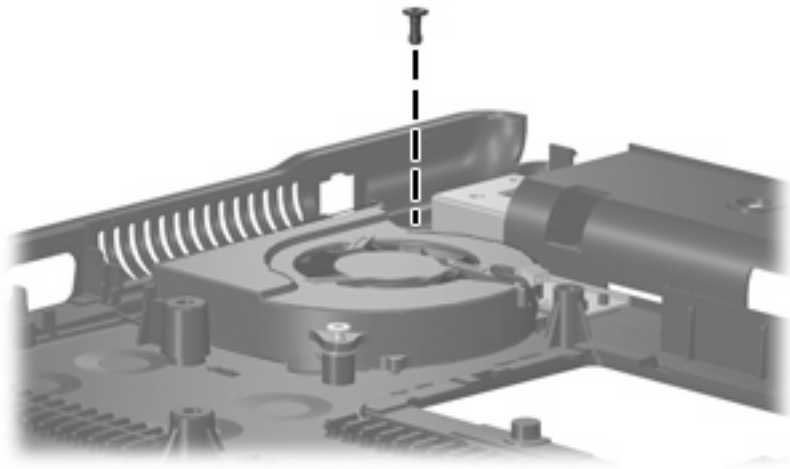


**Where used:** 2 screws that secure the optical drive connector board to the base enclosure

## Phillips PM2.5×7.0 screw

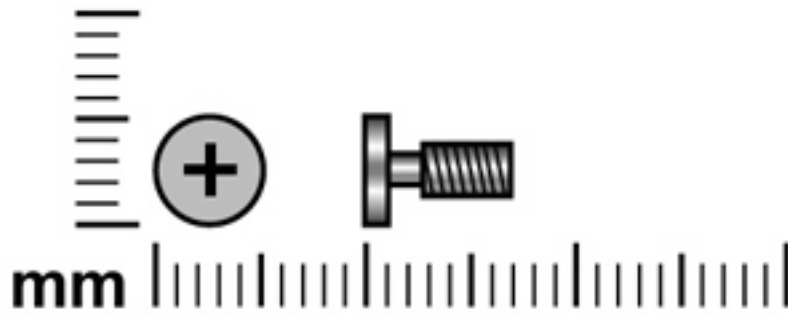


Color	Quantity	Length	Thread	Head diameter
Black	1	7.0 mm	2.5 mm	5.0 mm

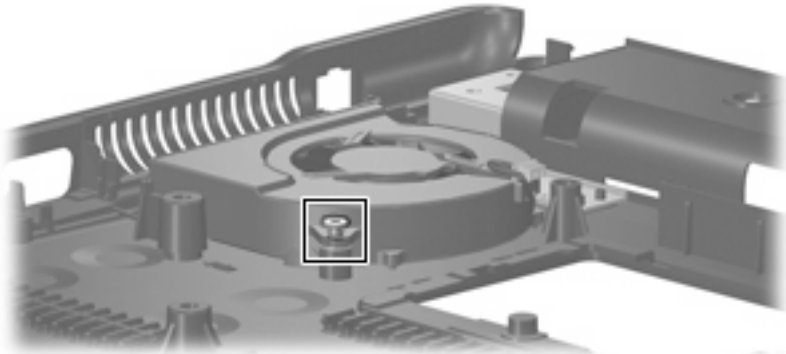


**Where used:** One screw that secures the fan to the base enclosure

## Phillips PM2.5×7.0 captive screw

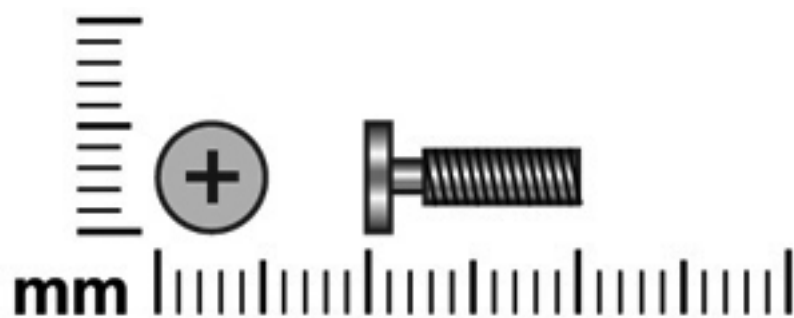


Color	Quantity	Length	Thread	Head diameter
Silver	1	7.0 mm	2.5 mm	5.0 mm

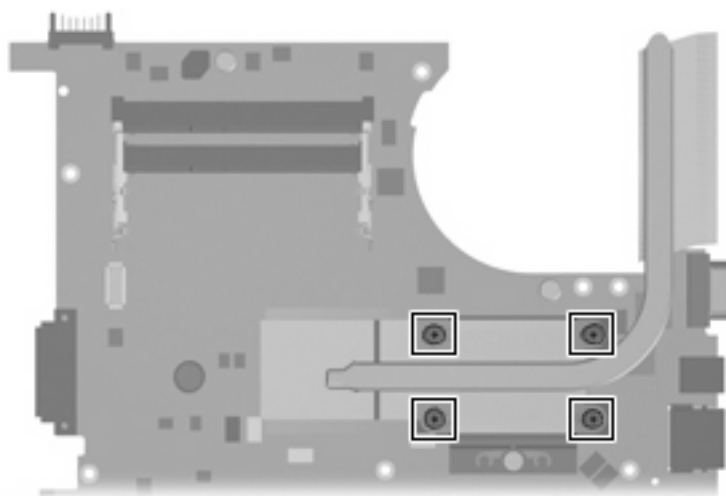


**Where used:** One captive screw that secures the fan to the base enclosure (screw is secured to the fan by a C-clip)

## Phillips PM2.5×10.0 captive screw

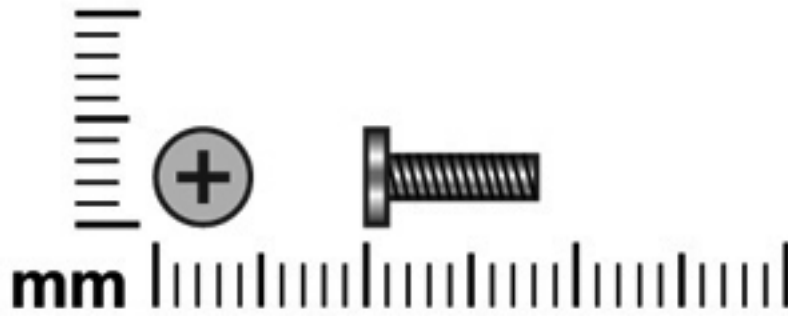


Color	Quantity	Length	Thread	Head diameter
Silver	4	10.0 mm	2.5 mm	5.0 mm

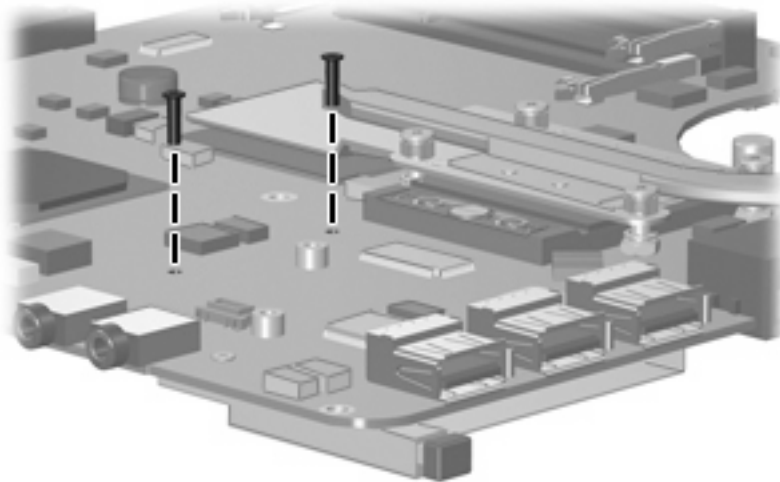


**Where used:** 4 captive screws that secure the heat sink to the system board (screws are secured to the heat sink by C-clips)

## Phillips PM2.0×8.0 screw



Color	Quantity	Length	Thread	Head diameter
Black	2	8.0 mm	2.0 mm	4.5 mm



**Where used:** 2 screws that secure the ExpressCard assembly to the system board

---

## 8 Backup and recovery

# Backup and recovery in Windows Vista


## Overview

To protect your information, use the Backup and Restore Center to back up individual files and folders, back up your entire hard drive (select models only), or create system restore points. In case of system failure, you can use the backup files to restore the contents of your computer.

The Backup and Restore Center provides the following options:

- Backing up individual files and folders
- Backing up the entire hard drive (select models only)
- Scheduling automatic backups (select models only)
- Creating system restore points
- Recovering individual files
- Restoring the computer to a previous state
- Recovering information using recovery tools

---

 **NOTE:** For detailed instructions, perform a search for these topics in Help and Support.

**NOTE:** In case of system instability, HP recommends that you print the recovery procedures and save them for later use.

---

## Backing up your information

Recovery after a system failure is as complete as your most current backup. You should create your initial backup immediately after software setup. As you add new software and data files, you should continue to back up your system on a regular basis to maintain a reasonably current backup.

You can back up your information to an optional external hard drive, a network drive, or discs.

Note the following when backing up:


- Store personal files in the Documents folder, and back it up regularly.
- Back up templates that are stored in their associated programs.
- Save customized settings that appear in a window, toolbar, or menu bar by taking a screen shot of your settings. The screen shot can be a time-saver if you have to reset your preferences.

To create a screen shot:


1. Display the screen you want to save.
2. Copy the screen image:
  - To copy only the active window, press **alt+fn+prt sc**.
  - To copy the entire screen, press **fn+prt sc**.
3. Open a word-processing document, and then select **Edit > Paste**.



The screen image is added to the document.


4. Save the document.
- When backing up to discs, use any of the following types of discs (purchased separately): CD-R, CD-RW, DVD+R, DVD+R DL, DVD-R, DVD-R DL, or DVD±RW. The discs you use will depend on the type of optical drive installed in your computer.
- 
-  **NOTE:** DVDs and DVDs with double-layer (DL) support store more information than CDs, so using them for backup reduces the number of recovery discs required.
- 
- When backing up to discs, number each disc before inserting it into the optical drive of the computer.

To create a backup using Backup and Restore Center, follow these steps:

 **NOTE:** Be sure that the computer is connected to AC power before you start the backup process.

**NOTE:** The backup process may take over an hour, depending on file size and the speed of the computer.


1. Select **Start > All Programs > Maintenance > Backup and Restore Center**.
2. Follow the on-screen instructions to back up your entire computer (select models only) or your files.

 **NOTE:** Windows® includes the User Account Control feature to improve the security of your computer. You may be prompted for your permission or password for tasks such as installing software, running utilities, or changing Windows settings. Refer to Help and Support for more information.

## Performing a recovery

In case of system failure or instability, the computer provides the following tools to recover your files:


- Windows recovery tools: You can use the Backup and Restore Center to recover information you have previously backed up. You can also use Windows Startup Repair to fix problems that might prevent Windows from starting correctly.
- f11 recovery tools: You can use the f11 recovery tools to recover your original hard drive image. The image includes the Windows operating system and software programs installed at the factory.

 **NOTE:** If you are unable to boot (start up) your computer, you must purchase a Windows Vista® operating system DVD to reboot the computer and repair the operating system. For additional information, refer to the “Using a Windows Vista operating system DVD (purchased separately)” section in this guide.

## Using the Windows recovery tools

To recover information you previously backed up, follow these steps:


1. Click **Start > All Programs > Maintenance > Backup and Restore Center**.
2. Follow the on-screen instructions to recover your entire computer (select models only) or your files.

 **NOTE:** Windows includes the User Account Control feature to improve the security of your computer. You may be prompted for your permission or password for tasks such as installing software, running utilities, or changing Windows settings. Refer to Help and Support for more information.


To recover your information using Startup Repair, follow these steps:

△ **CAUTION:** Using Startup Repair completely erases hard drive contents and reformats the hard drive. All files you have created and any software installed on the computer are permanently removed. When reformatting is complete, the recovery process restores the operating system, as well as the drivers, software, and utilities from the backup used for recovery.

1. If possible, back up all personal files.
2. If possible, check for the presence of the Windows partition and the HP Recovery partition. To find the partitions, select **Start > Computer**.

 **NOTE:** If the Windows partition and the HP Recovery partition have been deleted, you must recover your operating system and programs using the Windows Vista operating system DVD and the *Driver Recovery* disc (both purchased separately). For additional information, refer to the “Using a Windows Vista operating system DVD (purchased separately)” section in this guide.

3. Restart the computer, and then press **f8** before the Windows operating system loads.
4. Select **Repair your computer**.
5. Follow the on-screen instructions.


 **NOTE:** For additional information on recovering information using the Windows tools, perform a search for these topics in Help and Support.

## Using f11

△ **CAUTION:** Using **f11** completely erases hard drive contents and reformats the hard drive. All files you have created and any software installed on the computer are permanently removed. The **f11** recovery tool reinstalls the operating system and HP programs and drivers that were installed at the factory. Software not installed at the factory must be reinstalled.

To recover the original hard drive image using **f11**, follow these steps:

1. If possible, back up all personal files.
2. If possible, check for the presence of the HP Recovery partition. To find the partition, select **Start > Computer**.

 **NOTE:** If the HP Recovery partition has been deleted, you must recover your operating system and programs using the Windows Vista operating system DVD and the *Driver Recovery* disc (both purchased separately). For additional information, refer to the “Using a Windows Vista operating system DVD (purchased separately)” section in this guide.

3. Turn on or restart the computer, and then press **esc** while the “Press the ESC key for Startup Menu” message is displayed at the bottom of the screen.
4. Press **f11** while the “Press <F11> for recovery” message is displayed on the screen.
5. Follow the on-screen instructions.

## Using a Windows Vista operating system DVD (purchased separately)


If you are unable to boot (start up) your computer, you must purchase a Windows Vista operating system DVD to reboot the computer and repair the operating system. Make sure that your most recent backup (stored on discs or on an external drive) is easily accessible. To order a Windows Vista operating system DVD, go to <http://www.hp.com/support>, select your country or region, and follow the on-screen instructions. You can also order the DVD by calling technical support. For contact information, refer to the *Worldwide Telephone Numbers* booklet included with the computer.

---

△ **CAUTION:** Using a Windows Vista operating system DVD completely erases hard drive contents and reformats the hard drive. All files you have created and any software installed on the computer are permanently removed. When reformatting is complete, the recovery process helps you restore the operating system, as well as drivers, software, and utilities.

---

To initiate recovery using a Windows Vista operating system DVD, follow these steps:

 **NOTE:** This process takes several minutes.

---

1. If possible, back up all personal files.
2. Restart the computer, and then insert the Windows Vista operating system DVD into the optical drive before the Windows operating system loads.
3. When prompted, press any keyboard key.
4. Follow the on-screen instructions.
5. Click **Next**.
6. Select **Repair your computer**.
7. Follow the on-screen instructions.

# Backup and Recovery in Windows XP


## Overview

To protect your information, use the Windows® Backup utility (select models only) to back up files and folders or create recovery points. In case of system failure, you can use the backup files to restore your computer.

Windows provides the following options:

- Backing up individual files and folders
- Backing up all files and folders
- Scheduling automatic backups
- Creating recovery points
- Recovering information

---

 **NOTE:** For detailed instructions, perform a search for these topics in Help and Support.

**NOTE:** In case of system instability, HP recommends that you print the recovery procedures and save them for later use.

---

## Backing up your information

Recovery after a system failure is as complete as your most current backup. You should create your initial backup immediately after software setup. As you add new software and data files, you should continue to back up your system on a regular basis to maintain a reasonably current backup.

You can back up individual files or folders to an optional external hard drive or to a network drive.

Note the following when backing up:


- Store personal files in the My Documents folder, and back it up periodically.
- Back up templates stored in their associated programs.
- Save customized settings that appear in a window, toolbar, or menu bar by taking a screen shot of your settings. The screen shot can be a time saver if you have to reset your preferences.

To copy the screen and paste it into a word-processing document:

- a. Display the screen you want to save.
- b. Copy the screen image:
  - To copy only the active window, press **alt+fn+prt sc**.
  - To copy the entire screen, press **fn+prt sc**.
- c. Open a word-processing document, click **Edit > Paste**.
  - The screen image is added to the document.
- d. Save the document.

To create a backup using the Windows Backup utility (select models only), follow these steps:

---

 **NOTE:** Be sure that the computer is connected to AC power before you start the backup process.

**NOTE:** The backup process may take over an hour, depending on file size and the speed of the computer.

---

1. Click **Start > All Programs > Accessories > System Tools > Backup**.
2. Follow the on-screen instructions.

## Performing a recovery

In case of system failure or instability, the computer provides the following tools to recover your files:


- Windows recovery tools (select models only): You can use the Windows Backup utility to recover information you have previously backed up.
- *Operating System* and *Driver Recovery* discs (included with your computer): You can use the discs to recover your operating system and programs installed at the factory.

## Recovering your information

To recover information you previously backed up, follow these steps:

1. If possible, back up all personal files.
2. Click **Start > All Programs > Accessories > System Tools > Backup**.  
The Backup or Restore Wizard opens.
3. Click **Restore files and settings**, and then click **Next**.
4. Follow the on-screen instructions.

---

 **NOTE:** For additional information on initiating a recovery in Windows, perform a search for this topic in Help and Support.

---

## Recovering the operating system and programs

△ **CAUTION:** The recovery process reformats and completely erases the hard drive. All files you have created and any software installed on the computer are permanently removed. The recovery process reinstalls the original operating system, software, and drivers. Software, drivers, and updates not installed by HP must be manually reinstalled.

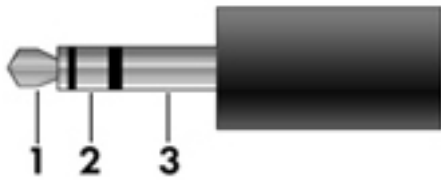
---

To recover your operating system and programs, follow these steps:

1. If possible, back up all personal files.
2. Insert the *Operating System* disc into the optical drive.
3. Shut down the computer.
4. Turn on the computer.
5. Follow the on-screen instructions to install the operating system.
6. After the operating system is installed, remove the *Operating System* disc and insert the *Driver Recovery* disc.
7. Follow the on-screen instructions to install the drivers and programs.

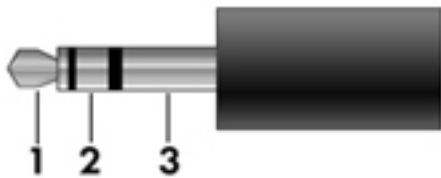
## 9 Connector pin assignments

### Audio-out (headphone)



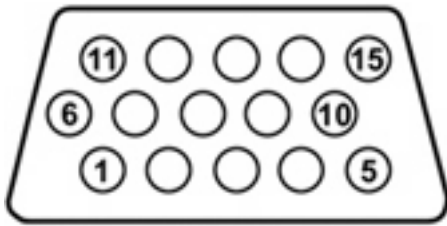
Pin	Signal
1	Audio out, left channel
2	Audio out, right channel
3	Ground

### Audio-in (microphone)



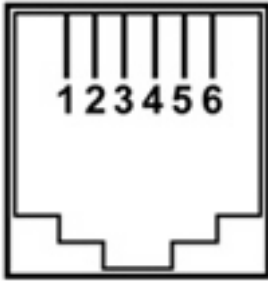
Pin	Signal
1	Audio signal in
2	Audio signal in
3	Ground

## External monitor



Pin	Signal
1	Red analog
2	Green analog
3	Blue analog
4	Not connected
5	Ground
6	Ground analog
7	Ground analog
8	Ground analog
9	+5 VDC
10	Ground
11	Monitor detect
12	DDC 2B data
13	Horizontal sync
14	Vertical sync
15	DDC 2B clock

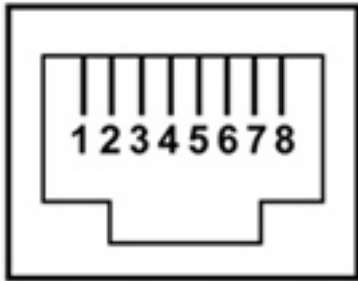
## RJ-11 (modem)



Pin	Signal
1	Unused
2	Tip
3	Ring
4	Unused
5	Unused
6	Unused

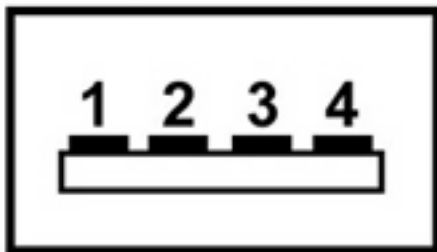


## RJ-45 (network)



Pin	Signal
1	Transmit +
2	Transmit -
3	Receive +
4	Unused
5	Unused
6	Receive -
7	Unused
8	Unused

## Universal Serial Bus



Pin	Signal
1	+5 VDC
2	Data -
3	Data +
4	Ground

---

# 10 Power cord set requirements

The wide range input feature of the computer permits it to operate from any line voltage from 100 to 120 volts AC or from 220 to 240 volts AC.

The 3-conductor power cord set included with the computer meets the requirements for use in the country or region where the equipment is purchased.

Power cord sets for use in other countries and regions must meet the requirements of the country or region where the computer is used.

## Requirements for all countries and regions

The requirements listed below are applicable to all countries and regions:

- The length of the power cord set must be at least 1.5 m (5.0 ft) and no more than 2.0 m (6.5 ft).
- All power cord sets must be approved by an acceptable accredited agency responsible for evaluation in the country or region where the power cord set will be used.
- The power cord sets must have a minimum current capacity of 10 amps and a nominal voltage rating of 125 or 250 V AC, as required by the power system of each country or region.
- The appliance coupler must meet the mechanical configuration of an EN 60 320/IEC 320 Standard Sheet C13 connector for mating with the appliance inlet on the back of the computer.

## Requirements for specific countries and regions

Country/region	Accredited agency	Applicable note number
Australia	EANSW	1
Austria	OVE	1
Belgium	CEBC	1
Canada	CSA	2
Denmark	DEMKO	1
Finland	FIMKO	1
France	UTE	1
Germany	VDE	1
Italy	IMQ	1
Japan	METI	3
The Netherlands	KEMA	1
Norway	NEMKO	1
The People's Republic of China	CCC	5
South Korea	EK	4
Sweden	SEMKO	1
Switzerland	SEV	1
Taiwan	BSMI	4
The United Kingdom	BSI	1
The United States	UL	2

1. The flexible cord must be Type HO5VV-F, 3-conductor, 1.0-mm<sup>2</sup> conductor size. Power cord set fittings (appliance coupler and wall plug) must bear the certification mark of the agency responsible for evaluation in the country or region where it will be used.
2. The flexible cord must be Type SPT-3 or equivalent, No. 18 AWG, 3-conductor. The wall plug must be a two-pole grounding type with a NEMA 5-15P (15 A, 125 V) or NEMA 6-15P (15 A, 250 V) configuration.
3. The appliance coupler, flexible cord, and wall plug must bear a "T" mark and registration number in accordance with the Japanese Dentori Law. The flexible cord must be Type VCT or VCTF, 3-conductor, 1.00-mm<sup>2</sup> conductor size. The wall plug must be a two-pole grounding type with a Japanese Industrial Standard C8303 (7 A, 125 V) configuration.
4. The flexible cord must be Type RVV, 3-conductor, 0.75-mm<sup>2</sup> conductor size. Power cord set fittings (appliance coupler and wall plug) must bear the certification mark of the agency responsible for evaluation in the country or region where it will be used.
5. The flexible cord must be Type VCTF, 3-conductor, 0.75-mm<sup>2</sup> conductor size. Power cord set fittings (appliance coupler and wall plug) must bear the certification mark of the agency responsible for evaluation in the country or region where it will be used.

---

# 11 Recycling

## Battery

When a battery has reached the end of its useful life, do not dispose of the battery in general household waste. Follow the local laws and regulations in your area for computer battery disposal.

## Display

- 
- ⚠ **WARNING!** The backlight contains mercury. Exercise caution when removing and handling the backlight to avoid damaging this component and causing exposure to the mercury.
  - ⚠ **CAUTION:** The procedures in this appendix can result in damage to display components. The only components intended for recycling purposes are the liquid crystal display (LCD) panel and the backlight. Careful handling must be exercised when removing these components. When you remove these components, handle them carefully.
  - 📄 **NOTE: Materials Disposal.** This HP product contains mercury in the backlight in the display assembly that might require special handling at end-of-life. Disposal of mercury may be regulated because of environmental considerations. For disposal or recycling information, contact your local authorities, or see the Electronic Industries Alliance (EIA) Web site at <http://www.eiae.org>.
- 

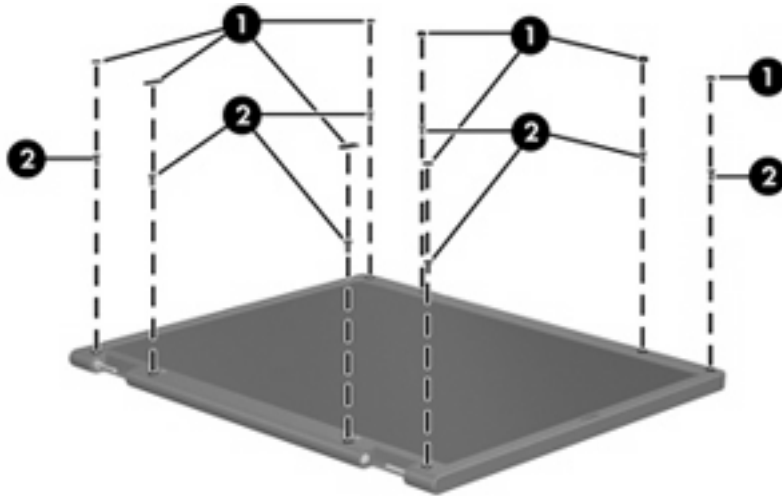
This section provides disassembly instructions for the display assembly. The display assembly must be disassembled to gain access to the backlight **(1)** and the liquid crystal display (LCD) panel **(2)**.



- 
- 📄 **NOTE:** The procedures provided in this appendix are general disassembly instructions. Specific details, such as screw sizes, quantities, and locations, and component shapes and sizes, can vary from one computer model to another.
-

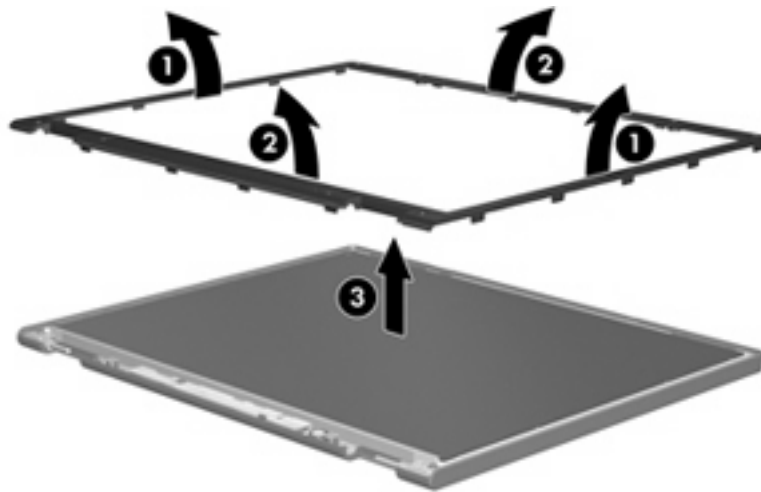
Perform the following steps to disassemble the display assembly:

1. Remove all screw covers (1) and screws (2) that secure the display bezel to the display assembly.

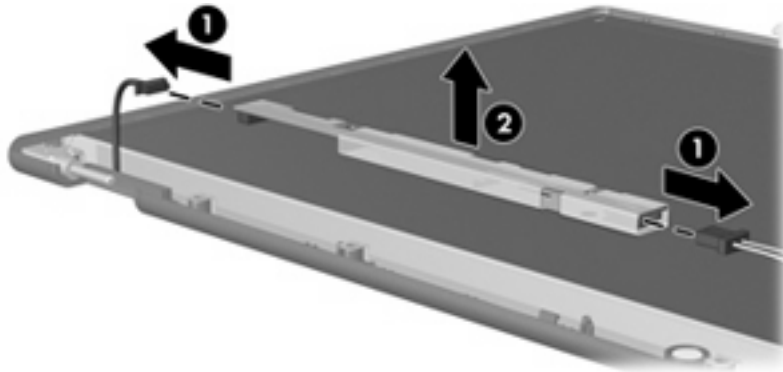


2. Lift up and out on the left and right inside edges (1) and the top and bottom inside edges (2) of the display bezel until the bezel disengages from the display assembly.

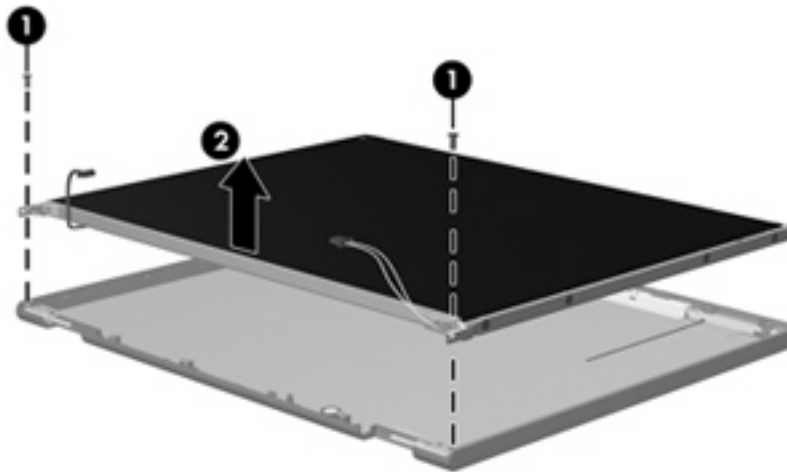
3. Remove the display bezel (3).



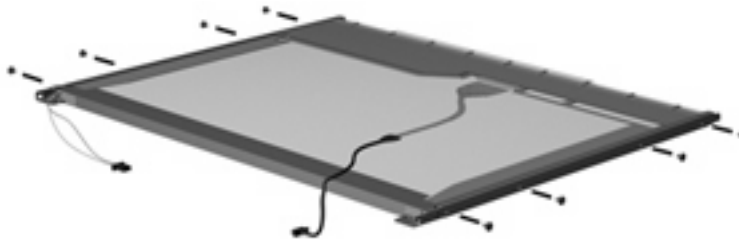
4. Disconnect all display panel cables (1) from the display inverter and remove the inverter (2).



5. Remove all screws (1) that secure the display panel assembly to the display enclosure.
6. Remove the display panel assembly (2) from the display enclosure.

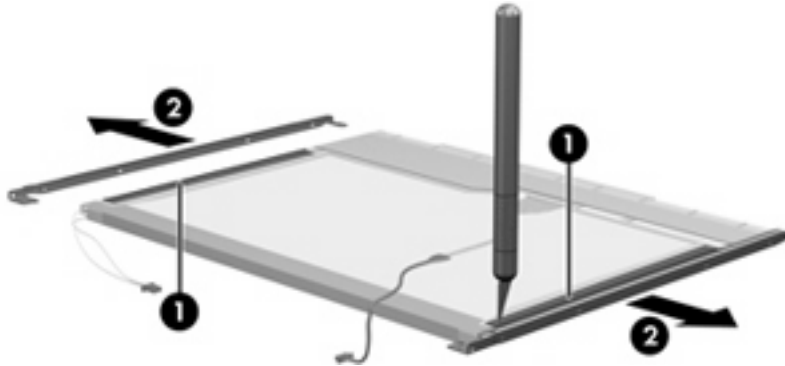


7. Turn the display panel assembly upside down.
8. Remove all screws that secure the display panel frame to the display panel.

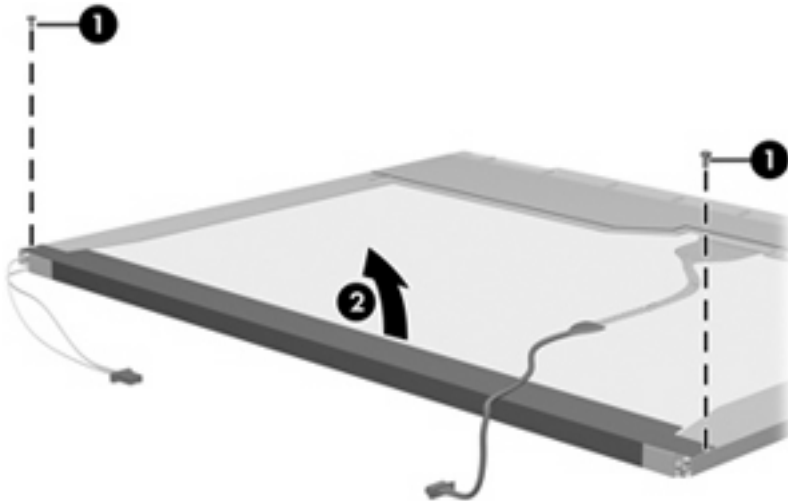


9. Use a sharp-edged tool to cut the tape (1) that secures the sides of the display panel to the display panel frame.

10. Remove the display panel frame (2) from the display panel.

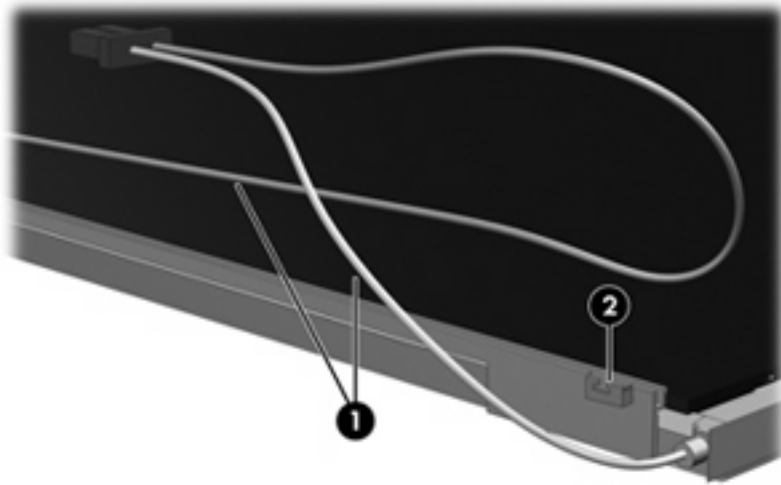


11. Remove the screws (1) that secure the backlight cover to the display panel.
12. Lift the top edge of the backlight cover (2) and swing it outward.



13. Remove the backlight cover.
14. Turn the display panel right-side up.

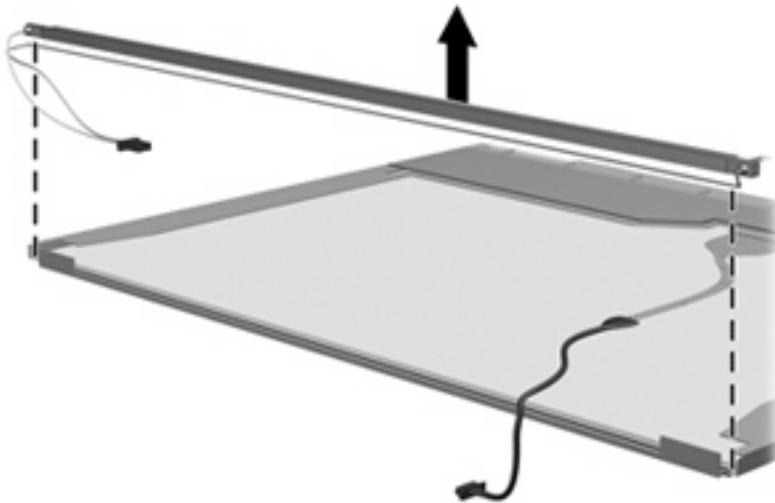
15. Remove the backlight cables (1) from the clip (2) in the display panel.



16. Turn the display panel upside down.

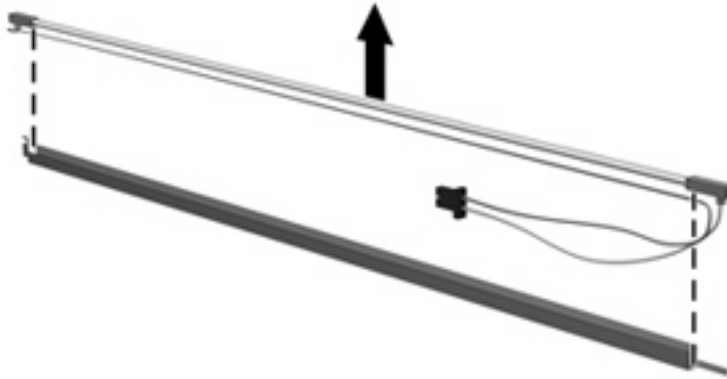
**⚠ WARNING!** The backlight contains mercury. Exercise caution when removing and handling the backlight to avoid damaging this component and causing exposure to the mercury.

17. Remove the backlight frame from the display panel.

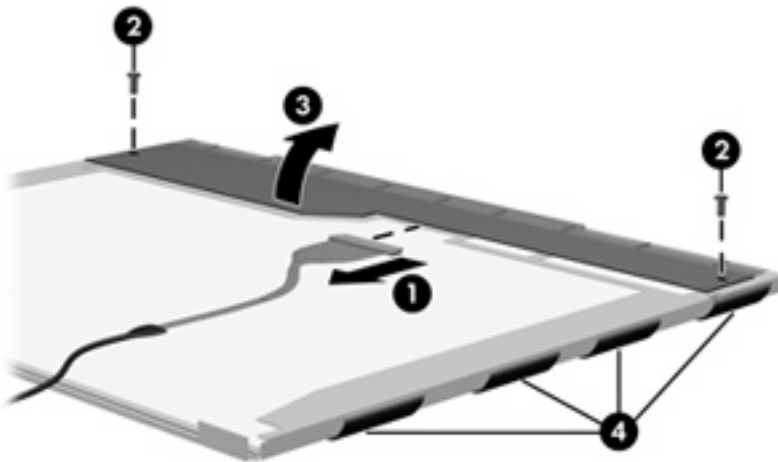




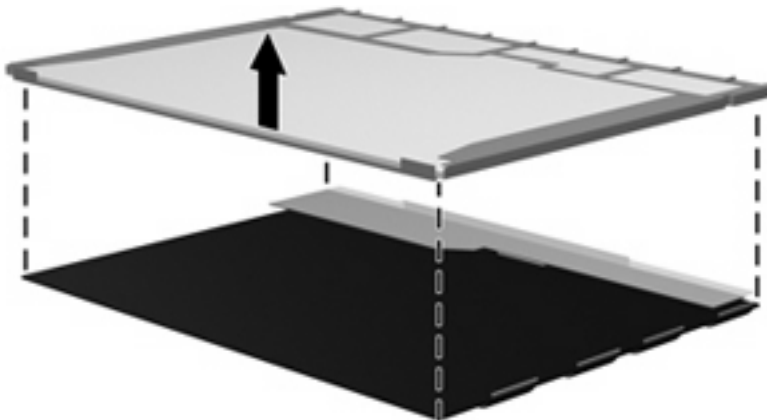
18. Remove the backlight from the backlight frame.



19. Disconnect the display panel cable (1) from the LCD panel.
20. Remove the screws (2) that secure the LCD panel to the display rear panel.
21. Release the LCD panel (3) from the display rear panel.
22. Release the tape (4) that secures the LCD panel to the display rear panel.



23. Remove the LCD panel.



24. Recycle the LCD panel and backlight.

---

# Index

- A**
  - AC adapter, spare part
    - number 24, 25
  - antenna, disconnecting 44
  - antennae 13
  - audio, product description 3
  - audio-in jack
    - location 9
    - pin assignments 126
  - audio-out jack
    - location 9
    - pin assignments 126
- B**
  - backing up files 120
  - backing up files and folders 124
  - Backup and Restore
    - Center 120, 121
  - base enclosure, spare part
    - number 18, 28
  - battery
    - location 12
    - removal 39
    - spare part number 18
    - spare part numbers 30, 39
  - battery bay 12
  - battery latches 12
  - battery light 11
  - Bluetooth module
    - removal 65
    - spare part numbers 17, 25, 26, 65
  - Bluetooth module cable, spare part
    - number 22
  - boot options 85
  - boot order 85
  - bottom components 12
  - button components 7
  - buttons
    - power 7
  - TouchPad 6
  - wireless 7
- C**
  - Cable Kit
    - contents 22
    - spare part number 20, 22, 26
  - cables, service considerations 32
  - caps lock light 7
  - carrying case, spare part
    - number 24
  - chipset, product description 1
  - CMOS clearing 36
  - components
    - bottom 12
    - buttons 7
    - front 9
    - keys 8
    - left-side 11
    - lights 7
    - pointing devices 6
    - right-side 10
    - speaker 7
    - top 6
    - TouchPad 6
  - computer feet
    - locations 38
    - spare part number 38
  - Computer Setup
    - accessing 81
    - Diagnostics menu 84
    - File menu 83
    - navigating and selecting 82
    - restoring factory settings 82
    - Security menu 84
    - System Configuration
      - menu 85
      - using 82
  - computer specifications 88
  - connectors
    - power 11
    - service considerations 32
  - creating a backup 120
- D**
  - Diagnostics menu 84
  - discs
    - Driver Recovery 125
    - Operating System 125
  - Disk Sanitizer 84
  - diskette drive
    - precautions 32
    - product description 3
    - spare part number 24
  - display assembly
    - removal 55
    - spare part numbers 16, 28, 55
  - display bezel
    - removal 57
    - spare part number 57
  - Display Cable Kit, spare part
    - number 16, 30, 55
  - display component recycling 132
  - display enclosure, spare part
    - number 16, 29
  - display hinge
    - removal 58
    - spare part number 16, 27, 59
  - display inverter
    - removal 57
    - spare part number 16, 26, 58
  - display lid switch module
    - removal 54
    - spare part number 22

- display panel
  - product description 1
  - removal 58
- display specifications 89
- DriveLock password 84
- Driver Recovery disc 125
- drives
  - boot order 85
  - preventing damage 32
- DVD-ROM Drive
  - precautions 32
  - removal 46
  - spare part number 20, 23, 30, 46
- DVD/CD-RW Combo Drive
  - precautions 32
  - removal 46
  - spare part number 20, 23, 30, 46
  - specifications 92
- DVD±RW and CD-RW SuperMulti Double-Layer Combo Drive with LightScribe
  - precautions 32
  - removal 46
  - spare part numbers 20, 23, 30, 46
  - specifications 91

## E

- electrostatic discharge 33
- esc key 8
- Ethernet, product description 3
- Execution Disable 86
- ExpressCard assembly
  - removal 79
  - spare part numbers 17, 28, 29, 66
- ExpressCard slot 11
- ExpressCard slot protective insert
  - illustrated 21
- external media cards, product description 3
- external monitor port
  - location 11
  - pin assignments 127

## F

- f11 recovery 122

- fan
  - removal 70
  - spare part number 17, 25, 70
- feet
  - locations 38
  - spare part number 38
- File menu 83
- files and folders
  - backing up 124
  - recovering 125
- fn key 8
- front components 9
- function keys 8

## G

- graphics, product description 1
- grounding equipment and methods 35

## H

- hard drive
  - location 12
  - precautions 32
  - product description 2
  - removal 40
  - spare part numbers 20, 23, 29, 40
  - specifications 90
- hard drive bay 12
- hard drive bay cover
  - illustrated 21
  - removal 40
- hard drive bracket, removal 41
- hard drive recovery 122
- hard drive test 84
- headphone jack
  - location 9
  - pin assignments 126
- heat sink
  - removal 72
  - spare part number 18, 26, 66, 72
- hinge
  - removal 58
  - spare part number 16, 27, 59

## I

- I/O address specifications 95
- interrupt specifications 94

## J

- jacks
  - audio-in 9
  - audio-out 9
  - headphone 9
  - microphone 9
  - modem 11
  - network 11
  - RJ-11 11
  - RJ-45 11

## K

- key components 8
- keyboard
  - product description 4
  - removal 50
  - spare part numbers 16, 28, 50
- keypad keys 8
- keys
  - esc 8
  - fn 8
  - function 8
  - keypad 8
  - Windows applications 8
  - Windows logo 8

## L

- LAN Power Save 86
- language, changing in Computer Setup 85
- left-side components 11
- legacy support, USB 81, 85
- light components 7
- lights
  - battery 11
  - caps lock 7
  - power 8
  - wireless 7
- Logo Kit, spare part number 24, 29

## M

- mass storage devices, spare part numbers 23
- memory check 84
- memory map specifications 97
- memory module
  - product description 1

- removal 45
- spare part numbers 20, 29, 45
- memory module compartment 12
- memory module compartment cover
  - illustrated 21
  - removal 45
- microphone jack
  - location 9
  - pin assignments 126
- modem jack
  - location 11
  - pin assignments 128
- modem module
  - product description 3
  - removal 76
  - spare part number 18, 27, 76
- monitor port
  - location 11
  - pin assignments 127

## N

- network jack
  - location 11
  - pin assignments 129

## O

- Operating System disc 125
- operating system, product description 4
- optical drive
  - location 10
  - precautions 32
  - product description 2
  - removal 46
  - spare part numbers 20, 23, 46
  - specifications 91, 92
- optical drive bay protective insert not illustrated 21
- optical drive connector board
  - removal 69
  - spare part number 17, 26, 28, 46, 69

## P

- packing guidelines 34
- parallel port mode 86
- password clearing 36

- passwords 84
- pin assignments
  - audio-in jack 126
  - audio-out jack 126
  - external monitor port 127
  - headphone jack 126
  - microphone jack 126
  - modem jack 128
  - monitor port 127
  - network jack 129
    - RJ-11 128
    - RJ-45 jack 129
    - Universal Serial Bus (USB) port 129
- plastic parts 31
- Plastics Kit
  - contents 21
  - spare part number 17, 21, 26
- pointing device
  - components 6
  - illustrated 6
  - product description 4
- pointing device components
  - TouchPad 6
  - TouchPad buttons 6
  - TouchPad scroll zone 6
- ports
  - external monitor 11
  - monitor 11
  - product description 4
  - Universal Serial Bus (USB) 11
- power button 7
- power connector 11
- power cord
  - set requirements 130
  - spare part numbers 24, 27
- power light 8
- power requirements, product description 4
- power-on password 84
- processor
  - product description 1
  - removal 74
  - spare part number 30
  - spare part numbers 18, 29, 74
- product description
  - audio 3
  - chipset 1

- diskette drive 3
- display panel 1
- Ethernet 3
- external media cards 3
- graphics 1
- hard drives 2
- keyboard 4
- memory module 1
- modem module 3
- operating system 4
- optical drives 2
- pointing devices 4
- ports 4
- power requirements 4
- processors 1
- security 4
- serviceability 5
- wireless 3

## R

- recovering information 121, 125
- recovery partition 122
- removal/replacement
  - preliminaries 31
  - procedures 37
- restoring the hard drive 122
- right-side components 10
- RJ-11 jack
  - location 11
  - pin assignments 128
- RJ-11 jack cable
  - release 67
  - spare part number 22
- RJ-45 jack
  - location 11
  - pin assignments 129
- RTC battery
  - removal 78
  - spare part number 18, 26, 78
- Rubber Kit, spare part number 29

## S

- Screw Kit
  - contents 98
  - spare part number 25, 29
- screw listing 98
- SD Card Reader 9
- security cable slot 10
- Security menu 84

- security, product description 4
- serial number 14, 37
- service considerations 31
- serviceability, product description 5
- setup utility
  - Diagnostics menu 84
  - File menu 83
  - Security menu 84
  - System Configuration menu 85
- speaker
  - location 8
  - removal 53
  - spare part number 17, 26, 53
- specifications
  - computer 88
  - display 89
  - DVD/CD-RW Combo Drive 92
  - DVD±RW and CD-RW SuperMulti Double-Layer Combo Drive with LightScribe 91
  - hard drive 90
  - I/O addresses 95
  - interrupts 94
  - memory map 97
  - optical drive 91, 92
  - system DMA 93
- startup check 84
- static-shielding materials 35
- stringent security 84
- switch cover
  - removal 48
  - spare part number 16, 28, 48
- system board
  - removal 66
  - spare part numbers 17, 28, 29, 66
- System Configuration menu 85
- system DMA 93
- system fan 86
- system information 83
- system memory map 97

**T**

- thermal material, replacement 73
- tools required 31
- top components 6
- top cover
  - removal 60
  - spare part number 17, 28, 60
- TouchPad
  - spare part number 17, 28
- TouchPad board
  - removal 63
  - spare part number 63
- TouchPad button board
  - removal 63
  - spare part number 17, 28, 63
- TouchPad buttons 6
- TouchPad components 6
- TouchPad scroll zone 6
- transporting guidelines 34

**U**

- unknown password 36
- USB legacy support 81, 85
- USB port
  - location 11
  - pin assignments 129

**V**

- vents 11, 12

**W**

- Windows applications key 8
- Windows Backup utility 124, 125
- Windows logo key 8
- Windows recovery 125
- Windows Vista operating system
  - DVD 122
- wireless antenna, disconnecting 44
- wireless antennae 13
- wireless button 7
- wireless light 7
- wireless, product description 3
- WLAN module
  - removal 42
  - spare part numbers 18, 26, 42
- WLAN module compartment 12
- WLAN module compartment cover
  - illustrated 21
  - removal 44
- workstation guidelines 34

